

2014 NEW PARTS



CATALOG

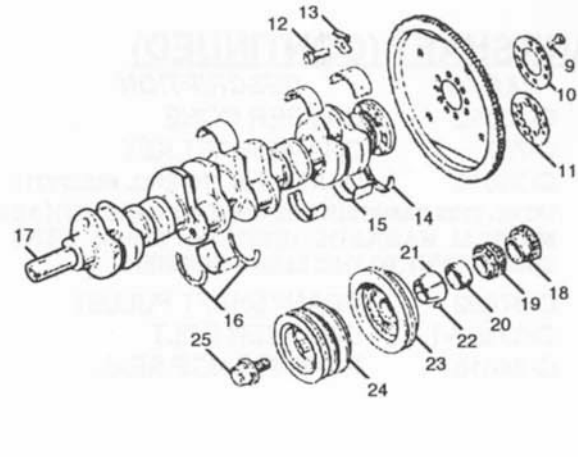
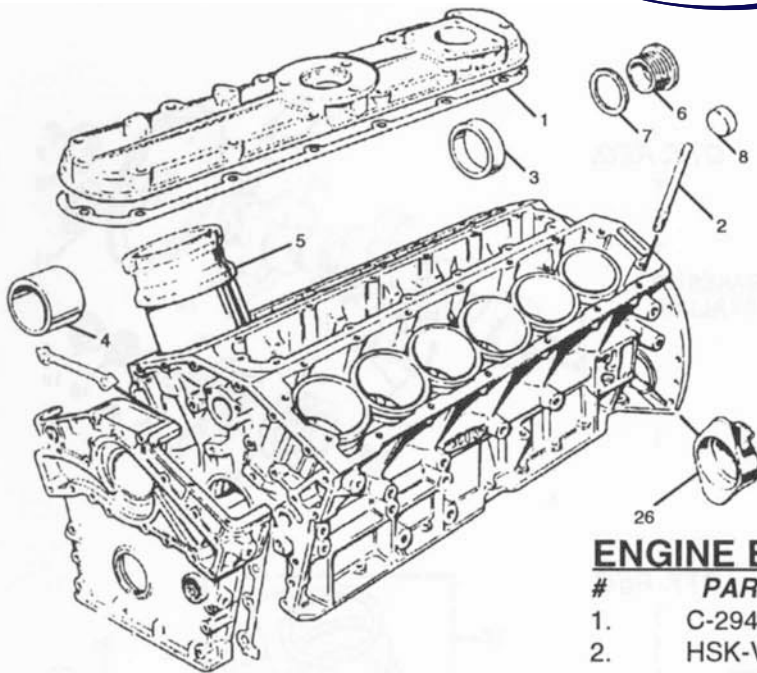


www.tradeimports.com.br
tradeimports@tradeimports.com.br

Table Of Contents

Engine.....	1-8
Transmission.....	9-11
Front Suspension.....	12-13
Rear Suspension.....	14
Brakes.....	15-16
Steering.....	17-18
Fuel & Emissions.....	19-22
Exhaust.....	23
Heating & Cooling.....	24-26
Electrical.....	27-33
Body Panels.....	34
Body Fittings.....	35-40
XJS Production Time Line.....	41
Car Care Products.....	42





ENGINE BLOCK

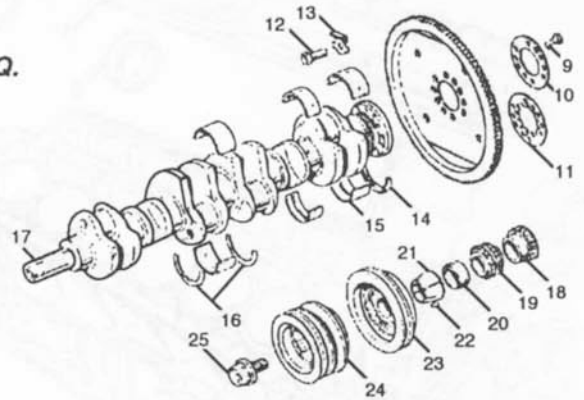
#	PART #	DESCRIPTION	QTY. REQ.
1.	C-29485	GASKET (SEE NOTE 1)	1
2.	HSK-V12	HEAD STUD KIT (ONE HEAD)	2
NOTE: INDIVIDUAL HEAD STUDS NOT STOCKED - WE RECOMMEND REPLACING ALL THE STUDS WHEN A HEAD IS REMOVED.			
NOTE 1: ALSO INCLUDED IN LOWER GASKET SET, PART #GSK-104			
2A.	C-32535	WATER JACKET STUD	10
3.	C-29274	AUX. SHAFT BUSHING - REAR	2
4.	C-29273	AUX. SHAFT BUSHING - FRONT	1
5.	C-32544	CYLINDER LINER	12
5A.	SA-1771	LINER & PISTON (NON H.E.)	12
5B.	SA-2099	LINER & PISTON (H.E.)	12
6.	C-29268	OIL GALLERY PLUG	1
7.	C-2296-17	SEALING WASHER	1
8.	C-16862-2	CORE (FREEZE) PLUG	2

CRANKSHAFT

#	PART #	DESCRIPTION	QTY. REQ.
9.	C-6839	FLEXPLATE BOLT (TO CRANK)	10
10.	C-6861	STIFFENER PLATE	1
11.	C-4810	LOCK PLATE	1
12.	C-16682	FLEXPLATE BOLT (TO TORQUE CONVERTER)	4
13.	C-32376	LOCK PLATE	4
14.	C-19654	REAR SEAL (UP TO ENG. #8566782)	1
14A.	EBC-2101	REAR SEAL (ENG. #8566783 ON)	1
15.	VP-91370-STD	MAIN BEARING SET	1
NOTE: JAGUAR DOES NOT RECOMMEND GRINDING THE CRANKSHAFT UNDERSIZE DUE TO THE THINNESS OF THE HARDENING. INQUIRE ABOUT THE AVAILABILITY OF UNDERSIZE BEARING SETS.			
16.	VPW-95001-STD	THRUST WASHER SET (STANDARD)	1
16A.	VPW-95001-10	THRUST WASHER SET (+.010)	1
17.	C-757	CRANKSHAFT KEY	3
18.	C-32185	OIL PUMP DRIVE COLLAR (TO 1992)	1
18A.	EBC-4240	OIL PUMP DRIVE COLLAR (1992 ON)	1
19.	C-29330	TIMING GEAR	1
20.	C-32197	DISTANCE PIECE	1

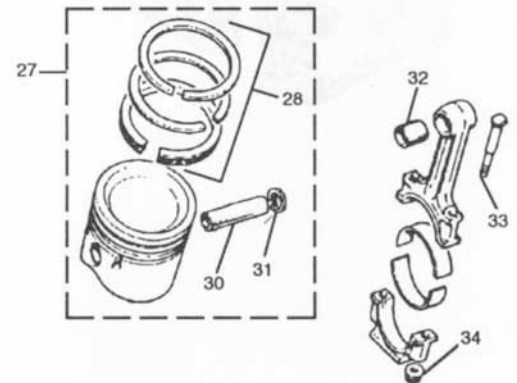
CRANKSHAFT (CONTINUED)

#	PART #	DESCRIPTION	QTY. REQ.
21.	C-13892	DAMPER CONE	1
22.	C-757	CRANKSHAFT KEY	4
23.	C-36013	DAMPNER (TO ENG. #8S57571)	1
NOTE: THIS DAMPNER DOES NOT FIT CARS WITH ABS BRAKES OR MARELLI MAGNETIC IGNITION, WHICH WERE INSTALLED SUBSEQUENT TO THIS ENGINE NUMBER.			
24.	C-37892	CRANKSHAFT PULLEY	1
25.	C-32367-1	DAMPNER BOLT	1
26.	C-34016	REAR FLANGE SEAL	1



PISTON AND CON RODS

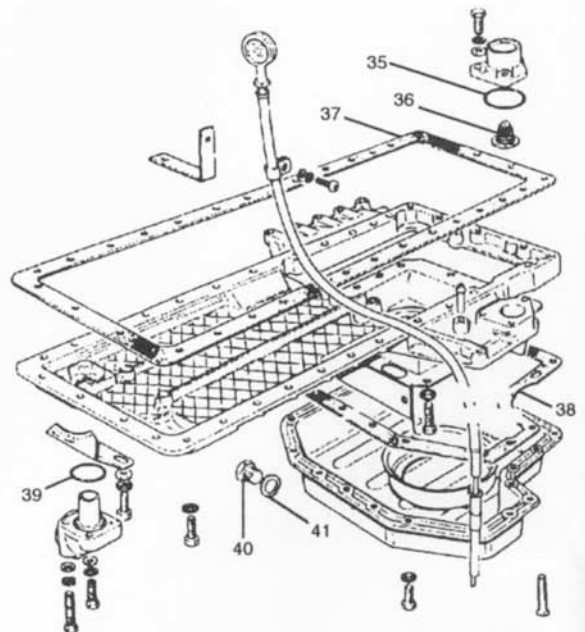
#	PART #	DESCRIPTION	QTY. REQ.
27.	AE-18206-STD	PISTON SET (STD. DIA. 8:1 CR)	1
27A.	AE-21290-STD	PISTON SET (STD. DIA. 12:1 CR)	1
28.	RA-26136-STD	PISTON RING SET (STD. DIA. 8:1 CR)	1
NOTE: NO OVERSIZE PISTONS OR RINGS AVAILABLE. IF WEAR ON THE LINER REQUIRES OVERSIZE, REPLACE LINER.			
30.	C-29698	WRIST PIN	12
31.	C-29699	WRIST PIN CIRCLIP	24
32.	C-29308	WRIST PIN BUSHING	12
33.	C-33271	CONNECTING ROD BOLT	24
34.	C-36030	CONNECTING ROD NUT	24

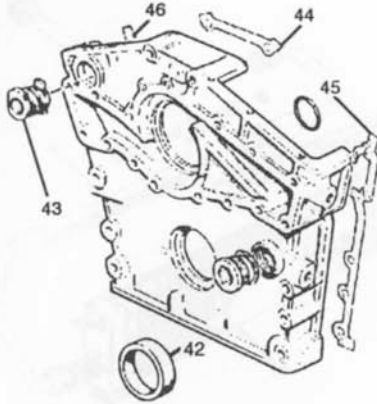


ENGINE OIL SUMP

#	PART #	DESCRIPTION	QTY. REQ.
35.	EAC-8101	OIL FTR. HSNQ. O-RING (SEE NOTE 1)	1
36.	C-37888	EGR BYPASS VALVE	1
37.	EAC-7252	MAIN OIL SUMP GASKET (SEE NOTE 1)	1
38.	EAC-7251	LWR. OIL SUMP GASKET (SEE NOTE 1)	1
39.	C-35657	O-RING INLET ELBOW (SEE NOTE 1)	1
40.	C-23435	OIL DRAIN PLUG	1
41.	C-2296-1	OIL DRAIN PLUG SEALING WASHER	1

NOTE 1: ALSO INCLUDED IN LOWER GASKET SET, PART #GSK-104

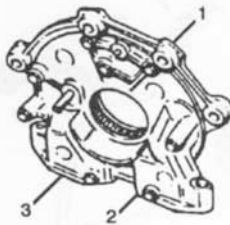




TIMING COVER

#	PART #	DESCRIPTION	QTY. REQ.
42.	C-30002	CRANK SEAL FRONT (SEE NOTE 1)	1
43.	C-37925	TIMING COVER PLUG	1
44.	C-29339	UPPER TIMING GASKET (SEE NOTE 1)	1
45.	C-29337	LH TIMING CVR GASKET (SEE NOTE 1)	1
46.	C-29338	RH TIMING CVR GASKET (SEE NOTE 1)	1

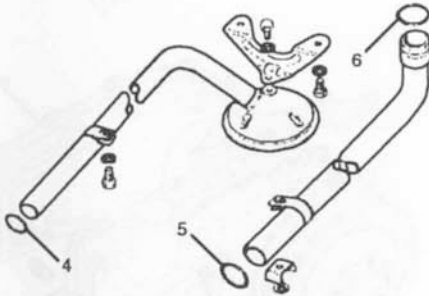
NOTE 1: ALSO INCLUDED IN LOWER GASKET SET, PART #GSK-104



OIL PUMP

#	PART #	DESCRIPTION	QTY. REQ.
1.	EBC-3163	OIL PUMP (1992 ON)	1
2.	C-31064	GASKET, LH (SEE NOTE 1)	1
3.	C-31063	GASKET, RH (SEE NOTE 1)	1

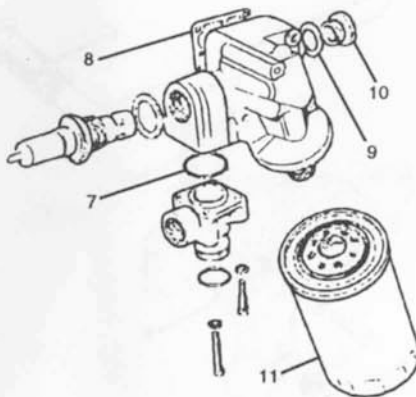
NOTE 1: ALSO INCLUDED IN LOWER GASKET SET, PART #GSK-104



OIL PUMP PIPES

#	PART #	DESCRIPTION	QTY. REQ.
4.	C-33855	O-RING (SEE NOTE 1)	1
5.	C-29828	O-RING (SEE NOTE 1)	1
6.	C-29426	O-RING (SEE NOTE 1)	1

NOTE 1: ALSO INCLUDED IN LOWER GASKET SET, PART #GSK-104



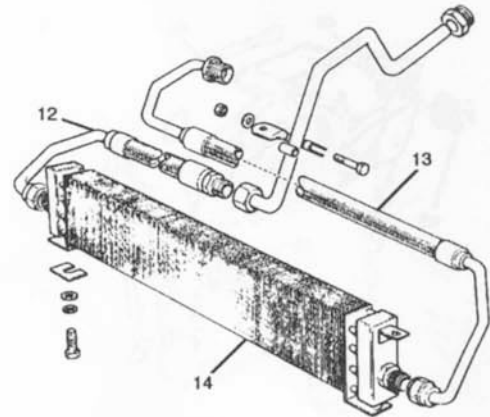
OIL CLEANER

#	PART #	DESCRIPTION	QTY. REQ.
7.	EAC-8101	OIL FTR. HSN. O-RING (SEE NOTE 1)	1
8.	C-35508	OIL SND. HSN. GASKET (SEE NOTE 1)	1
9.	RTC-1142	RUBBER SEALING WASHER	1
10.	12912	PLUG	1
11.	GFE-317	SPIN ON OIL FILTER	1

NOTE 1: ALSO INCLUDED IN LOWER GASKET SET, PART #GSK-104

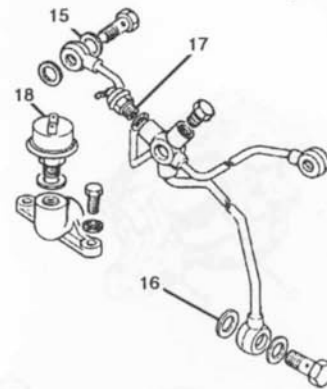
OIL COOLER

#	PART #	DESCRIPTION	QTY. REQ.
12.	C-38074	OIL COOLER FEED HOSE (TO19'93)	1
13.	C-38075	OIL COOLER RETURN HOSE (TO1993)	1
14.	C-43923	OIL COOLER (TO 1993)	1



SENDING UNITS

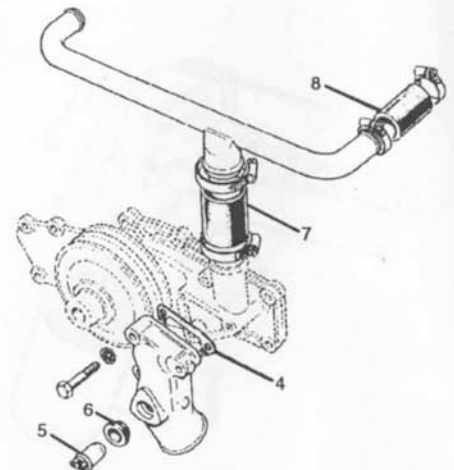
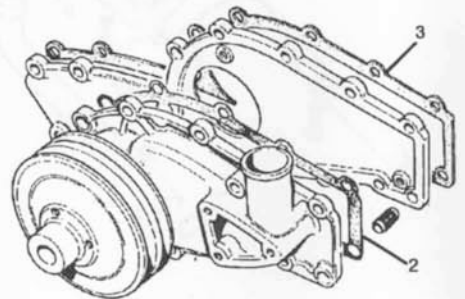
#	PART #	DESCRIPTION	QTY. REQ.
15.	C-4146	COPPER SEALING WASHER	4
16.	C-2296-3	COPPER SEALING WASHER	4
17.	PS-5320-6-03	OIL PRESS. WARN. LAMP SWITCH	1
18.	PTR-1001-10	OIL PRESSURE GAUGE SENDER	1



WATER PUMP AND PIPES

#	PART #	DESCRIPTION	QTY. REQ.
1.	P-36297	REB. WATER PUMP (DOUBLE PULLEY)	1
1A.	EAC-2109	REB. WATER PUMP (SINGLE PULLEY)	1
NOTE: AS NEAR AS WE CAN DETERMINE, ALL BUT THE EARLIEST CARS USE THE SINGLE-BELT PULLEY, BUT CHECK YOUR CAR BEFORE ORDERING			
2.	C-36542	INTERMEDIATE GASKET (SEE NOTE 1)	1
3.	C-29626	GASKET (INCLUDED WITH WATER PUMP, ALSO SEE NOTE 1)	1
4.	C-36020	GASKET (INCLUDED WITH WATER PUMP, ALSO SEE NOTE 1)	1
5.	EAC-1322	AUXILIARY COOLING FAN SWITCH	1
NOTE: PUSH-IN STYLE ILLUSTRATED - FITS EARLY 1979-TO VIN #101854.			
5A.	EAC-2510	AUXILIARY COOLING FAN SWITCH	1
6.	C-37990	GROMMET (FOR SWITCH #EAC-1322)	1
6A.	C-37990-3	SEALING WASHER (FOR #EAC-2510)	1
7.	* C-41374	HOSE - PIPE TO WATER PUMP	1
8.	* C-41373	HOSE - PIPE TO WATER PUMP	2

*THESE HOSES ARE INCLUDED IN COOLING HOSE KIT — GHK-115
NOTE 1: ALSO INCLUDED IN LOWER GASKET SET, PART #GSK-104

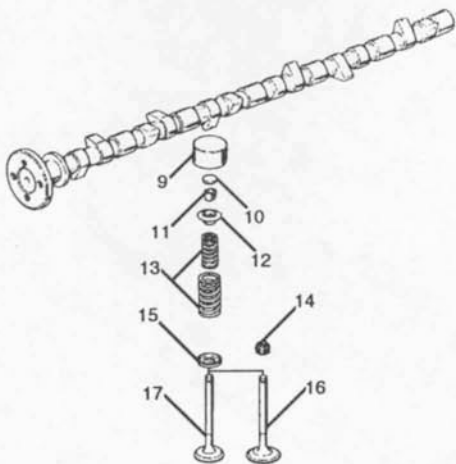
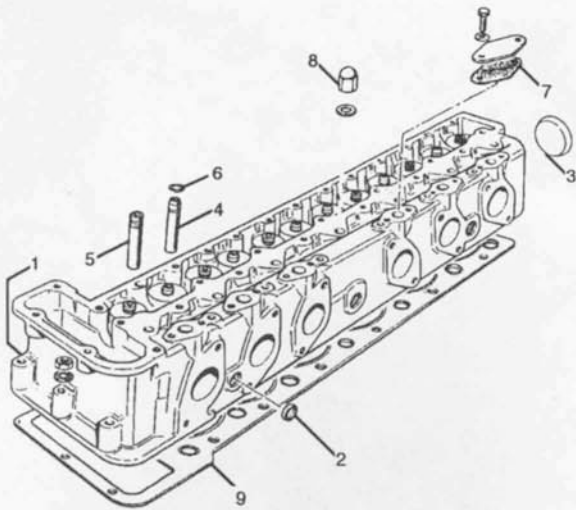


CYLINDER HEAD

#	PART #	DESCRIPTION	QTY. REQ.
1.	C-32254	CYLINDER HEAD RH (TO 1982, NEW)	1
1A.	C-32255	CYLINDER HEAD LH (TO 1982, NEW)	1
NOTE: ABOVE HEADS HAVE VALVE GUIDES INSTALLED BUT NO OTHER VALVE TRAIN PARTS ARE INCLUDED.			
2.	C-16862-1	CORE PLUG (TO 1982)	14
2A.	C-16862-2	CORE PLUG (1982 ON)	14
3.	C-16862-6	CORE PLUG	2
NOTE: WHEN ORDERING INTAKE VALVE GUIDES, YOU MUST ADD THE SUFFIX TO THE PART NUMBER FOR THE CORRECT DIAMETER: BR=.502"; BR1=.504"; BR2=.507"			
4.	VG-50913	BRONZE INTAKE VALVE GUIDE	12
5.	VG-50924	BRONZE EXHAUST VALVE GUIDE	12
NOTE: THE FOLLOWING TWO PART NUMBERS ARE FOR THE PRE-H.E. STEEL VALVE GUIDES — PREVIOUS NUMBERS INTERCHANGE.			
4.	C-29390	PRE-H.E. INTAKE VALVE GUIDE .502" DIAMETER	12
5.	C-29386	PRE-H.E. EXHAUST VALVE GUIDE .504" DIAMETER	12
6.	EBC-1782	VALVE GUIDE RETAINING CLIP	24
7.	C-30344	WATER RAIL GASKET (SEE NOTE 1)	12
8.	C-37523	HEAD NUT	28
NOTE 1: INCLUDED IN HEAD GASKET SET GSK-125 (UP TO 1982) AND GSK-127 (1982 ON)			
9.	GSK-125	HEAD GASKET SET (TO 1982)	1
9A.	GSK-127	HEAD GASKET SET (1982 ON)	1
NOTE: HEAD GASKETS ONLY AVAILABLE AS PART OF ABOVE SET.			

VALVE GEAR

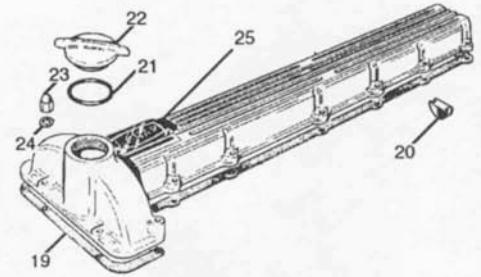
#	PART #	DESCRIPTION	QTY. REQ.
9.	C-44010	SHORT TAPPET	24
10.	C-2243-P	VALVE ADJUSTING SHIM	A/R
NOTE: WHEN ORDERING VALVE SHIMS, SPECIFY THE PART NUMBER FOLLOWED BY THE LETTER THAT CORRESPONDS TO THE THICKNESS: "A" IS .085", "B" IS .086" — SHIMS ARE AVAILABLE IN THICKNESSES UP TO .110" (Z)			
11.	C-27482	VALVE RETAINING COLLET (PAIR)	24
12.	C-27480	VALVE RETAINING COLLAR	24
13.	VSP-94566-P	VALVE SPRING SET (DOES ONE HEAD)	2
14.	EAC-5032	VALVE STEM SEAL (SEE NOTE 1)	12
15.	C-27481	VALVE SPRING SEAT	24
16.	V-34356	INTAKE VALVE (TO 1982 — PRE-H.E.)	12
16A.	V-90305	INTAKE VALVE (1982 ON — PRE-H.E.)	12
17.	V-34357	EXHAUST VALVE (TO 1982 — PRE-H.E.)	12
17A.	V-90306	EXHAUST VALVE (1982 ON — PRE-H.E.)	12
NOTE 1: INCLUDED IN HEADGASKET SET GSK-125 AND GSK-127			



VALVE COVERS

#	PART #	DESCRIPTION	QTY. REQ.
19.	C-29428	CAM COVER GASKET RH (SEE NOTE 1)	1
19A.	C-29429	CAM COVER GASKET LH (SEE NOTE 1)	1
20.	C-30431	CAM COVER SEAL (SEE NOTE 1)	2
21.	C-42511	OIL CAP SEAL	1
22.	C-34757	OIL FILLER CAP	1
23.	C-2327-C	CAM COVER NUT (CHROME)	8
24.	FW-104-E	CAM COVER NUT WASHER	8
25.	DCL-1047	DECAL	2

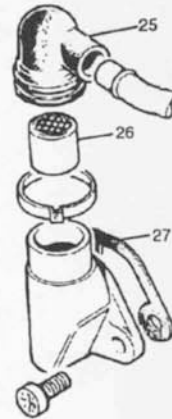
NOTE 1: INCLUDED IN HEAD GASKET SET GSK-125 (UP TO 1982-PRE H.E.) AND GSK-127 (1982 ON H.E.)



BREATHER

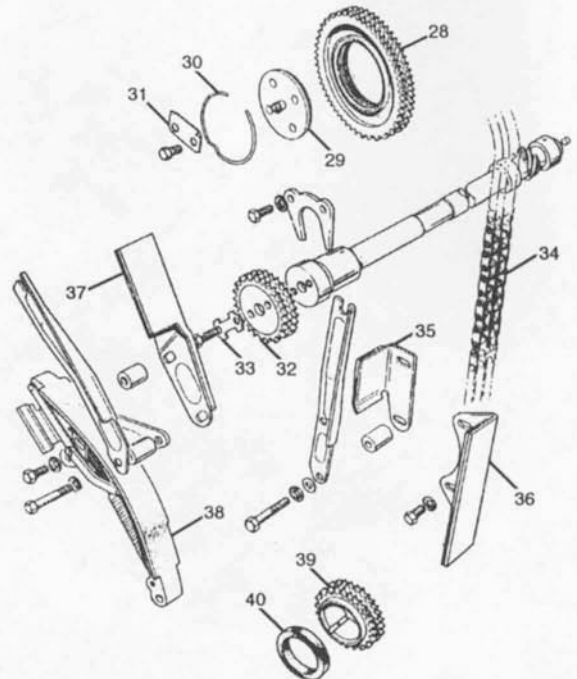
#	PART #	DESCRIPTION	QTY. REQ.
25.	C-44386	BREATHER CAP	1
26.	C-44410	FILTER CAPSULE	1
27.	C-32366	OIL PUMP GASKET (SEE NOTE 1)	1

NOTE 1: INCLUDED IN HEAD GASKET SET GSK-125 (UP TO 1982-PRE H.E.) AND GSK-127 (1982 ON H.E.)

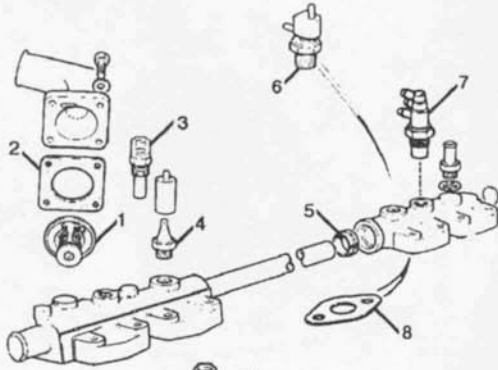


TIMING GEAR

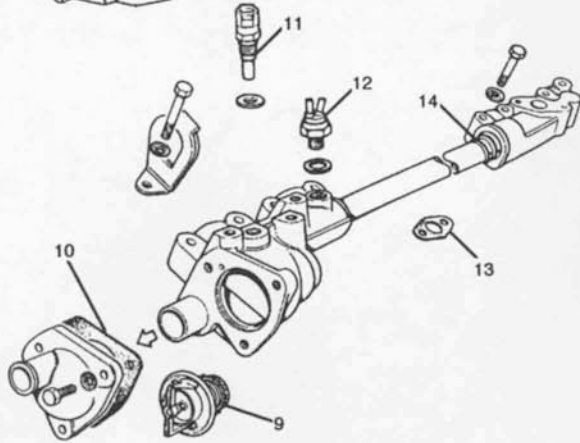
#	PART #	DESCRIPTION	QTY. REQ.
28.	C-29349	CAMSHAFT SPROCKET	2
29.	C-33889	COUPLER	2
30.	C-30767	CIRCLIP	2
31.	C-33917	CAM GEAR LOCK TAB	4
32.	C-32227	TIMING GEAR JACKSHAFT	1
33.	C-31076	TAB WASHER	1
34.	C-29590	TIMING CHAIN	1
35.	C-29635	UPPER DAMPER GUIDE	1
36.	C-29636	LOWER DAMPER GUIDE	1
37.	C-31068	UPPER GUIDE	1
38.	C-30485	TIMING CHAIN TENSIONER	1
39.	C-29330	CRANKSHAFT SPROCKET	1
40.	C-30002	FRONT CRANKSHAFT SEAL	1



THERMOSTAT HOUSING/SWITCHES (RH)



#	PART #	DESCRIPTION	QTY. REQ.
1.	JLM-9632	THERMOSTAT	1
2.	* GTG-130	THERMOSTAT COVER GASKET RH	1
3.	30491	THERMO-TIME SWITCH (THRU 1979)	1
3A.	33704	THERMO-TIME (1980-1988)	1
3B.	DAC-4737	TEMP. SENSOR SWITCH (1989 ON)	1
4.	DAC-2583	TEMP. GAUGE TRANSMITTER	1
5.	C-37990	SEALING BUSHING	2
6.	EAC-4083	THERMAL VACUUM VALVE	1
7.	EBC-1197	VACUUM CONTROL VALVE (TO 1989)	1
8.	* C-30344	WATER RAIL GASKET	4

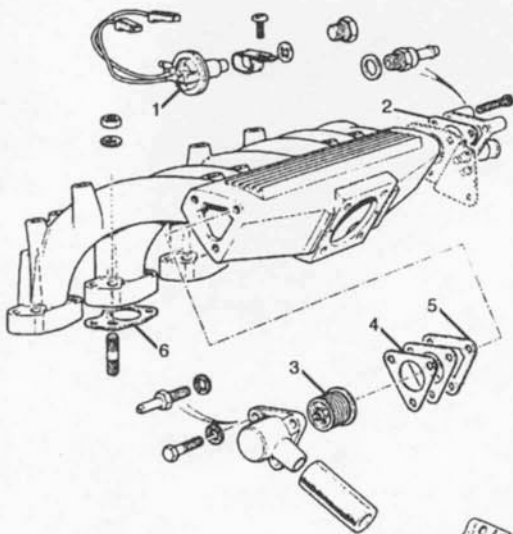


THERMOSTAT HOUSING/SWITCHES (LH)

#	PART #	DESCRIPTION	QTY. REQ.
9.	JLM-9632	THERMOSTAT	1
10.	* C-42715	THERMOSTAT COVER GASKET LH	1
11.	73142	WATER TEMP. SENDER (THRU 1979)	1
12.	EAC-2630	THERMAL VALVE	1
13.	* C-30344	WATER RAIL GASKET	4
14.	C-37990	SEALING BUSHING	2

* INCLUDED IN HEAD GASKET SETS GSK-125 OR GSK-127

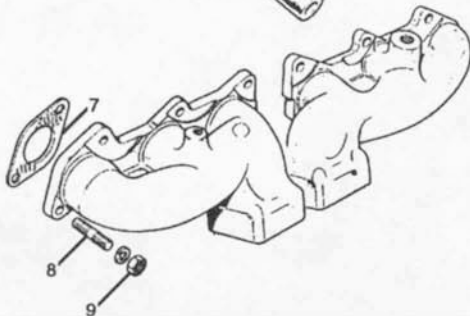
INTAKE MANIFOLDS



#	PART #	DESCRIPTION	QTY. REQ.
1.	JLM-473	THROTTLE CONTROL VALVE	1
2.	* C-41887	GASKET	2
3.	C-44397	DECELERATION VALVE	2
4.	* C-41887	DECELERATION VALVE GASKET	2
5.	* C-44190	DECELERATION VALVE GASKET	2
6.	* GEG-687	INTAKE MANIFOLD GASKET	12

* INCLUDED IN HEAD GASKET SETS GSK-125 OR GSK-127

EXHAUST MANIFOLDS

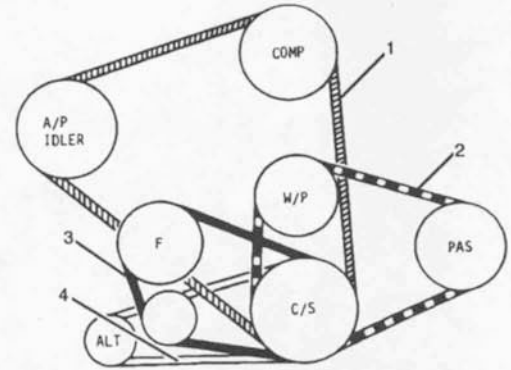


#	PART #	DESCRIPTION	QTY. REQ.
7.	* C-33921	EXHAUST MANIFOLD GASKET	12
8.	C-25321	EXHAUST MANIFOLD STUDS	24
9.	C-30787	EXHAUST MANIFOLD NUT	24

* INCLUDED IN HEAD GASKET SETS GSK-125 OR GSK-127

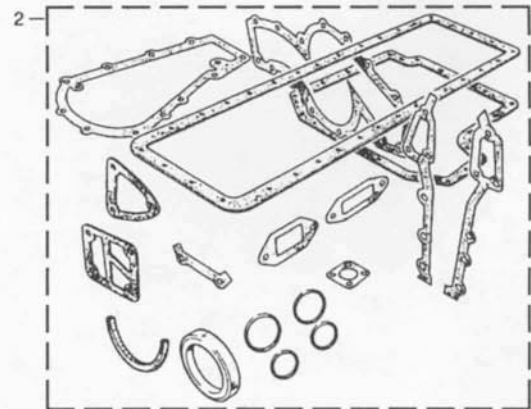
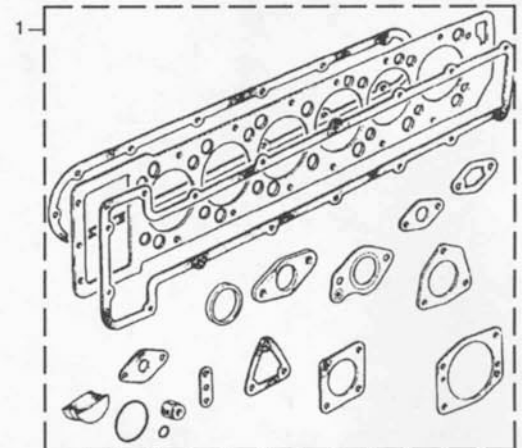
DRIVE BELTS

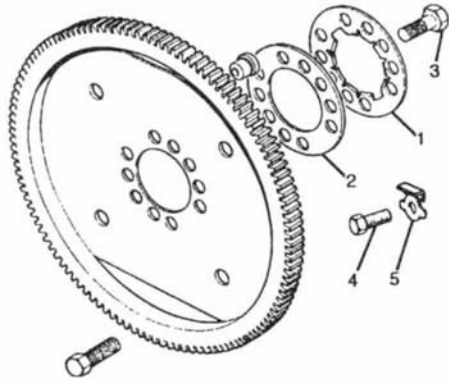
#	PART #	DESCRIPTION	QTY. REQ.
1.	EAC-1605	AIR PUMP A/C COMPRESSOR BELT	1
2.	EAC-1323	POWER STEERING PUMP BELT	1
3.	GFB-233	COOLING FAN BELT	1
4.	EAC-1616	ALTERNATOR BELT (TO 1989)	1
4A.	EAC-9369	ALTERNATOR BELT (1989 ON-ABS BRKS)	1
	FBS-XJS	BELT SET (UP TO 1989)	1



GASKET SETS

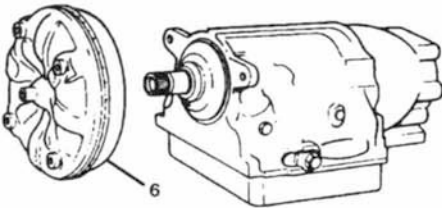
#	PART #	DESCRIPTION	QTY. REQ.
1.	GSK-125	HEAD GASKET SET (TO 1982 NON H.E.)	1
1A.	GSK-127	HEAD GASKET SET (1982 ON H.E.)	1
2.	GSK-104	LOWER (PAN) GASKET SET	1





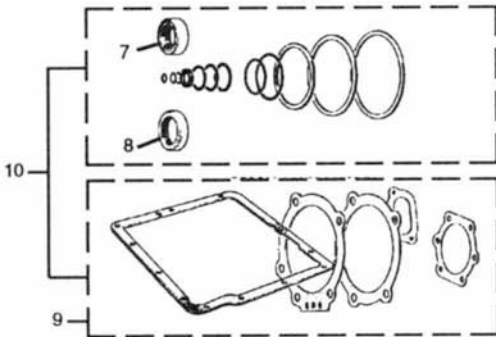
AUTOMATIC TRANSMISSION

#	PART #	DESCRIPTION	QTY. REQ.
1.	C-4810	FLYWHEEL LOCK TAB	1
2.	C-6861	STIFFENER PLATE	1
3.	C-6839	FLEXPLATE TO CRANKSHAFT BOLT	10
4.	C-16682	TORQUE CONV. BOLT (1976-77)	4
4A.	EAC-5580	TORQUE CONV. BOLT (1978 ON)	6
5.	C-32376	LOCK TAB (USE WITH C-16682 BOLT)	4



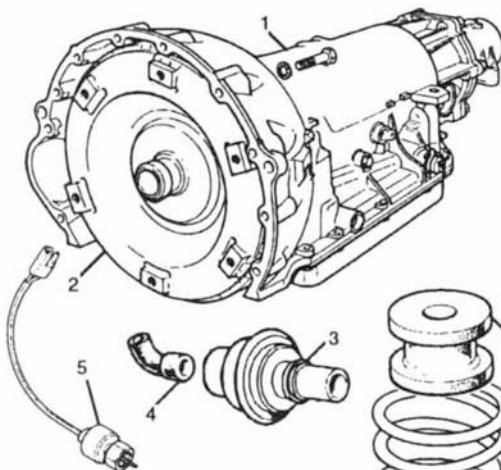
BORG-WARNER MODEL 12 (76-77 MODELS)

#	PART #	DESCRIPTION	QTY. REQ.
6.	MD-12-TC	REBUILT TORQUE CONVERTER	1
6A.	MD-12-TC-CR	CORE DEPOSIT REQUIRED	1
7.	* 12553	FRONT TRANSMISSION SEAL	1
8.	* 12549	REAR TRANSMISSION SEAL	1
9.	* JS-507	GASKET SET	1
* INCLUDED IN GASKET AND SEAL KIT SHOWN BELOW.			
10.	MODEL-12	GASKET AND SEAL KIT	



G.M. TURBO HYDROMATIC 400 (1978 ON)

#	PART #	DESCRIPTION	QTY. REQ.
1.	EBC-3654-N	NEW TRANS. W/ TORQUE CONV.	1
2.	MD-400-TC	REBUILT TORQUE CONVERTER	1
2A.	MD-400-TC-CR	CORE DEPOSIT REQUIRED	1
3.	EAC-1726	VACUUM MODULATOR	1
4.	C-34937	VACUUM ELBOW	1
5.	TES-1800-262	SPEEDO TRANSDUCER (VIN #144262 >)	1

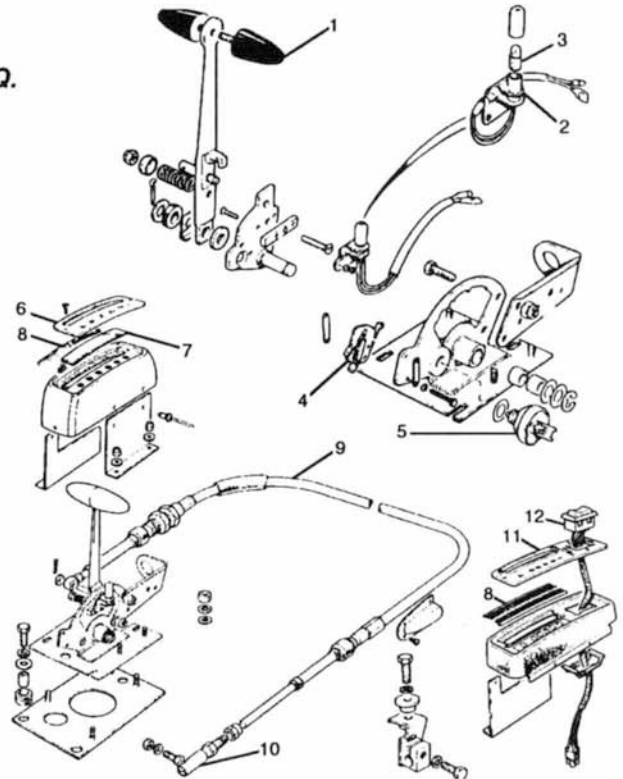


REAR MOUNT

#	PART #	DESCRIPTION	QTY. REQ.
1.	C-19190	SPRING	1
2.	C-12335	TRANS. MOUNT SPRING SEAT	2
3.	CAC-3227	CENTER MOUNT BUSHING	1

AUTOMAIC TRANSMISSION CONTROLS

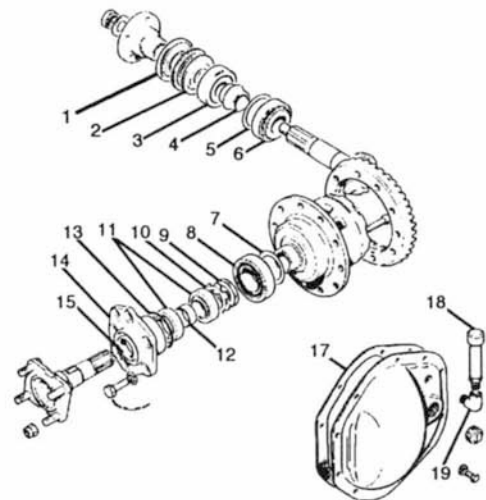
#	PART #	DESCRIPTION	QTY. REQ.
1.	C-31228-W	WALNUT SHIFT KNOB SET	1
2.	C-45943	GEAR INDICATOR LAMP ASSEMBLY	1
3.	LLB-987	5-WATT SCREW BASE BULB	1
4.	C-33509	KICKDOWN SWITCH	1
5.	31077	REVERSE LAMP SWITCH	1
6.	BD-34963	SELECTOR PANEL (1976-77)	1
6A.	BD-48032	SELECTOR PANEL (1978-81)	1
6B.	CAC-5491	SELECTOR PANEL (1982 ON)	1
7.	C-26337	FILTER STRIP	1
8.	CAC-2864	SEAL	2
9.	C-37934	SHIFT CABLE	1
10.	C-25152	ADJUSTABLE BALL END	1
11.	CAC-2860	SELECTOR PANEL (THRU 1981)	1
11A.	CAC-4768	SELECTOR PANEL (1982 ON)	1
12.	35259	CRUISE CONTROL SWITCH (1982 ON)	1

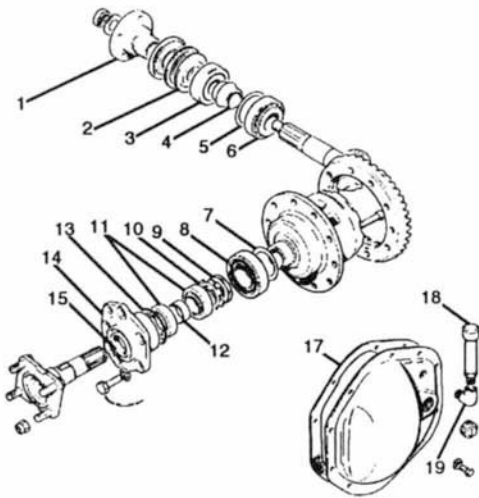


FINAL DRIVE

NOTE: DURING 1985-1988, SOME XJ'S WERE EQUIPPED WITH A DANA MANUFACTURED DIFFERENTIAL. CHECK TO SEE IF YOU HAVE THIS TYPE BEFORE ORDERING PARTS SINCE NONE OF THE PARTS LISTED BELOW FIT THE DANA. THE DANA CAN BE IDENTIFIED BY EXAMINING THE FLANGE THAT HOLDS THE STUB AXLE TO THE SIDE OF THE DIFFERENTIAL: THE FLANGE IS ATTACHED BY THREE BOLTS AND THE BRAKE CALIPER IS BOLTED TO THE CASE. ON THE MORE COMMON "GKN" DIFFERENTIAL, FIVE BOLTS ATTACH THE STUB AXLE FLANGE, TWO OF WHICH ALSO ATTACH THE CALIPER. IF YOU HAVE A WORN-OUT DANA DIFFERENTIAL, IT CAN BE REPLACED WITH THE GKN UNIT — CALL US FOR MORE DETAILS.

#	PART #	DESCRIPTION	QTY. REQ.
1.	JLM-527	PINION SEAL	1
2.	JLM-614	PINION SPACER	1
3.	ATA-7166	OUTER PINION BEARING	1
4.	12456	COLLAPSIBLE PINION SPACER	1
5.	3860	PINION BEARING SHIM - .003"	A/R
5A.	3861	PINION BEARING SHIM - .005"	A/R
5B.	3862	PINION BEARING SHIM - .010"	A/R
6.	12252	INNER PINION BEARING	1
7.	3935	DIFF. BEARING SHIM - .003"	A/R
7A.	3936	DIFF. BEARING SHIM - .005"	A/R
7B.	3937	DIFF. BEARING SHIM - .010"	A/R
7C.	3938	DIFF. BEARING SHIM - .030"	A/R
8.	3845	DIFFERENTIAL BEARING	2
9.	* RTC-1346	STUB AXLE NUT	2
10.	* JLM-556	STUB AXLE LOCK TAB	2
11.	* RTC-1347	INNER FRONT HUB BEARING	4
12.	* RTC-1348	COLLAPSIBLE STUB AXLE SPACER	2
13.	* RTC-1340	BEARING HOUSING O-RING	2

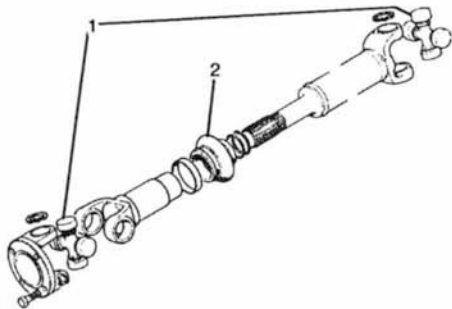




FINAL DRIVE CONTINUED

#	PART #	DESCRIPTION	QTY. REQ.
13.	* RTC-1340	BEARING HOUSING O-RING	2
14.	* RTC-1344	BEARING HOUSING RH	1
14A.	* RTC-1345	BEARING HOUSING LH	1
15.	* AAU-8271	OUTPUT DIFFERENTIAL SEAL	2
* INCLUDED WITH STUB AXLE ASSEMBLY LISTED BELOW			
16.	JLM-558	STUB AXLE ASSEMBLY RH	1
16A.	JLM-559	STUB AXLE ASSEMBLY LH	1
17.	3931	DIFFERENTIAL COVER GASKET	1
18.	C-25716	BREATHER TUBE	1
19.	8509	BREATHER ELBOW	1
NOTE: THE FOLLOWING IS A LIST OF COMPLETE, REBUILT DIFFS.			
	CAC-2022-R	REBUILT DIFFERENTIAL 3.31:1	1
	CAC-2022-CR	CORE DEPOSIT REQUIRED	1
	CBC-1957-R	REBUILT DIFFERENTIAL 2.88:1	1
	CBC-1957-CR	CORE DEPOSIT REQUIRED	1

DIFFERENTIAL RATIOS — U.S. SPECIFICATION CARS PRIOR TO 1982 WERE SUPPLIED WITH 3.31:1 RATIO. WITH THE INTRODUCTION OF THE H.E. MODEL, THE RATIO WAS CHANGED TO 2.88:1. BOTH ARE INTERCHANGEABLE. THE RATIO CAN BE DETERMINED BY A TAG ATTACHED TO ONE OF THE REAR COVER BOLTS WHICH WILL BE STAMPED WITH THE NUMBER OF TEETH ON THE RING GEAR AND A SMALLER NUMBER, THE NUMBER OF TEETH ON THE PINION. DIVIDING THE LARGER NUMBER BY THE SMALLER GIVES THE RATIO, E.G., 43/13= 3.307 (3.31:1). ALL XJS'S HAVE "POWR-LOK" LIMITED SLIP DIFFERENTIALS.



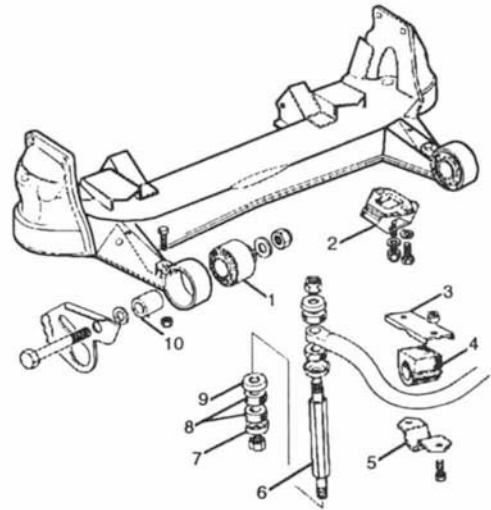
DRIVE SHAFT

#	PART #	DESCRIPTION	QTY. REQ.
1.	10065	DRIVE SHAFT U-JOINT	2
2.	9411	DRIVE SHAFT BELLOWS	1

MOUNTS & SWAY BAR

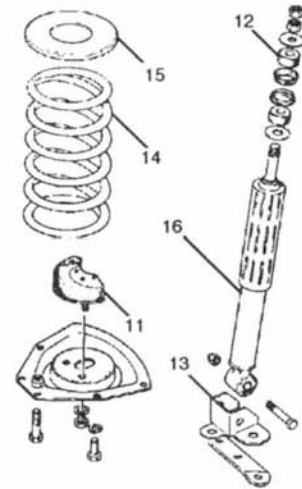
#	PART #	DESCRIPTION	QTY. REQ.
1.	C-30314	FRONT SUSPENSION MOUNT	2
2.	C-45666	FRONT SUSP. SADDLE MOUNT	2
3.	C-30571	RH SWAY BAR MOUNT PLATE	1
3A.	C-30570	LH SWAY BAR MOUNT PLATE	1
4.	* C-32925	SWAY BAR BUSHING	2
5.	C-30500	RH BUSHING BRACKET	1
5A.	C-30501	LH BUSHING BRACKET	1
6.	C-46186	SWAY BAR LINK	2
7.	C-11045	SWAY BAR LINK WASHER	4
8.	* C-10996	SWAY BAR LINK BUSHING	8
9.	C-33682	SWAY BAR LINK WASHER	4
10.	C-30371	CROSSMEMBER MOUNT SLEEVE	2

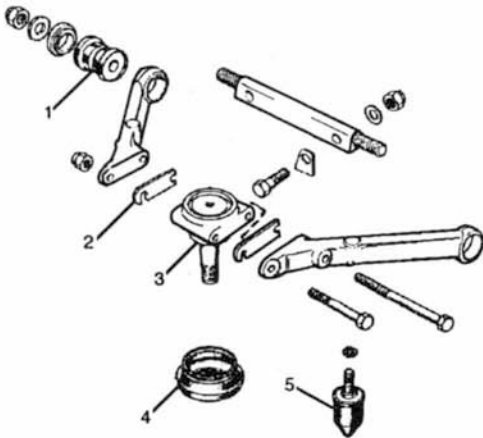
* ALSO INCLUDED IN FRONT SUSPENSION REBUILD KIT, #FSU-XJ



COIL SPRINGS & SHOCK ABSORBER

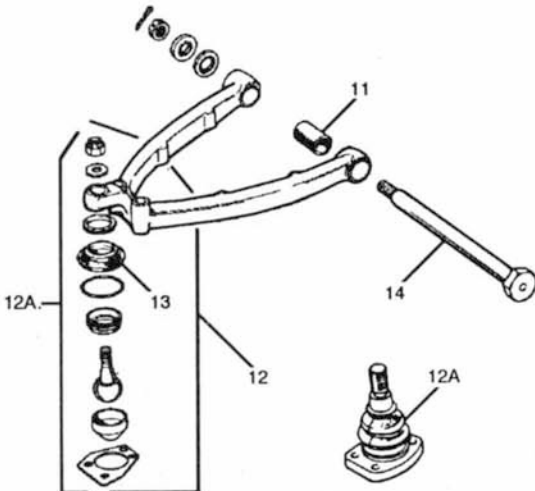
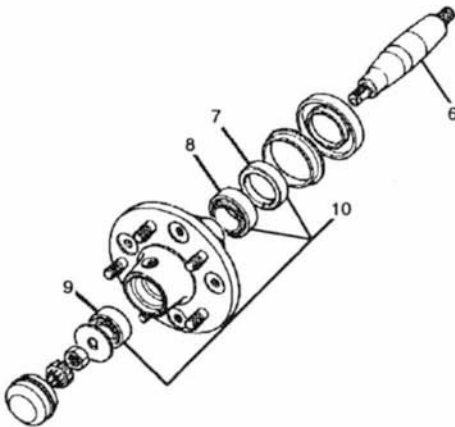
#	PART #	DESCRIPTION	QTY. REQ.
11.	C-43790	LOWER FRONT BUMP STOP	2
12.	C-30115	TOP FRONT SHOCK BUSHING	4
13.	C-38112	RH BOTTOM SHOCK BRACKET	1
13A.	C-38113	LH BOTTOM SHOCK BRACKET	1
14.	RTC-2751	FRONT SPRINGS (PAIR ONLY)	1
14A.	RTC-2751-HD	HEAVY DUTY SPRINGS (PAIR ONLY)	1
15.	C-41271	FRONT SPRING SPACER (.125")	A/R
16.	C-27795	SHOCK ABSORBER	2
16A.	C-29444-K	SHOCK ABSORBER SET (2 FT., 4 REAR)	1





UPPER & LOWER CONTROL ARMS / AXLE

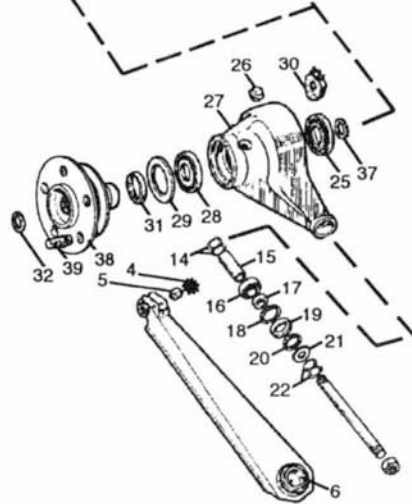
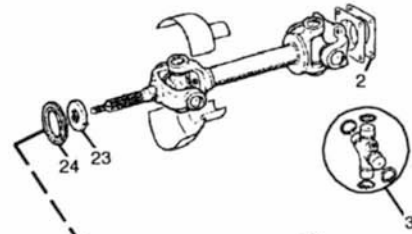
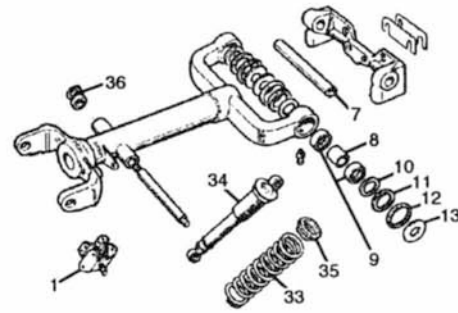
#	PART #	DESCRIPTION	QTY. REQ.
1.	* C-33745-1	UPPER CONTROL ARM BUSHING	4
2.	C-15308	UP. BALL JOINT ALIGNMENT SHIM	A/R
3.	* C-23024	UPPER BALL JOINT ASSEMBLY	2
4.	C-43216	NYLON BALL JOINT GAITER	2
NOTE: GAITER IS INCLUDED WITH BALL JOINT ASSEMBLY			
5.	C-29979	UPPER FRONT BUMP STOP	2
6.	CCC-5136	AXLE SHAFT	2
7.	C-45711	HUB BEARING SEAL	2
8.	C-45709	INNER HUB BEARING	2
9.	C-45710	OUTER HUB BEARING	2
NOTE: THE ABOVE THREE ITEMS ARE ALSO INCLUDED IN THE FOLLOWING KIT — ONE KIT DOES ONE WHEEL.			
10.	HUB-KF-LATE	HUB BEARING AND SEAL KIT	2
11.	* C-8673	LOWER CONTROL ARM BUSHING	4
12.	* 12803	LOWER BALL JOINT KIT	2
12A.	CAC-9937	LOWER BALL JOINT ASSEMBLY	2
NOTE: THIS IS A ONE-PIECE ASSEMBLY AS USED ON LATE CARS.			
13.	C-43216	NYLON BALL JOINT GAITER	2
NOTE: GAITER IS INCLUDED WITH BALL JOINT KIT #12803			
14.	C-30722	LOWER CONTROL ARM PIVOT BOLT	2
* ALSO INCLUDED IN FRONT SUSPENSION REBUILD KIT, #FSU-XJ			

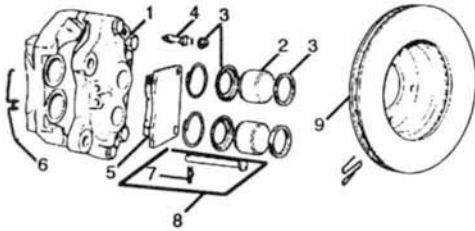


#	PART #	DESCRIPTION	QTY. REQ.
1.	CAC-3067	CAGE MOUNT	4
2.	C-16621	CAMBER SHIM	A/R
3.	11948	HALF SHAFT U-JOINT	4
4.	C-25401	WASHER	2
5.	C-17146	REAR RADIUS ARM BUSHING	2
6.	C-23782	FRONT RADIUS ARM BUSHING	2
7.	C-17663	INNER FULCRUM SPACER TUBE	2
8.	C-17168-1	INNER FULCRUM BEARING TUBE	4
9.	C-17167	FULCRUM BEARING	8
10.	C-17166	INNER FULCRUM SPACER	8
11.	C-17213	INNER FULCRUM SEAL	8
12.	C-17936	INNER SEAL RETAINER	8
13.	C-17165	THRUST WASHER	8
14.	C-16626-1	OUTER FULCRUM SHIM - .003	A/R
14A.	C-16626-3	OUTER FULCRUM SHIM .007	A/R
15.	C-16623-1	PIVOT PIN SLEEVE	2
16.	C-16029	OUTER FULCRUM BEARING	4
17.	C-16628	FULCRUM SEATING RING	4
18.	C-20180	OUTER FULCRUM SPACER RING	4
19.	C-20178	OUTER FULCRUM SEAL	4
20.	C-20179	OUTER FULCRUM SEAL CUP	4
21.	C-20182	OUTER FULCRUM WASHER SEAL	4
22.	C-16626-2	OUTER FULCRUM SHIM - .007	A/R
23.	C-15232	HUB SEAL TRACK	2
24.	C-15231	INNER HUB SEAL	2
25.	C-15230	INNER HUB BEARING	2
26.	C-18124	GREASE CAP	2
27.	C-26699	REAR HUB CARRIER	2
28.	C-19066	OUTER HUB BEARING	2
29.	C-24789	OUTER HUB SEAL	2
30.	C-40158	BUMP STOP	2
31.	C-24791	OIL SEAL RACE	2
32.	C-24923	REAR HUB WASHER	2
33.	C-29978	REAR SPRING	4
33A.	C-37273	RETAINING COLLET (2-PER SHOCK)	8
34.	C-29444	REAR SHOCK	4
34A.	C-29444-K	SHOCK ABSORBER SET (2FT - 4 REAR)	1
35.	C-19821	SPRING RETAINER (2-PER SHOCK)	8
36.	C-29374	SPACER	2
37.	** CAC-3818	HUB SHIM	A/R
	* HUB-KR	HUB BEARING AND SEAL KIT	2
38.	CBC-1784	HUB ASSEMBLY	2
39.	C-13365	WHEEL STUD	10

* ALSO INCLUDED IN HUB BEARING & SEAL KIT, #HUB-KR

** HUB SHIMS ARE AVAILABLE IN THICKNESS FROM .109" TO .151".
WHEN ORDERING, ADD THE SUFFIX THAT CORRESPONDS TO
THE LAST TWO DIGITS OF THE SIZE, E.G., TO ORDER A 146" SHIM,
SPECIFY CAC-3818-46.

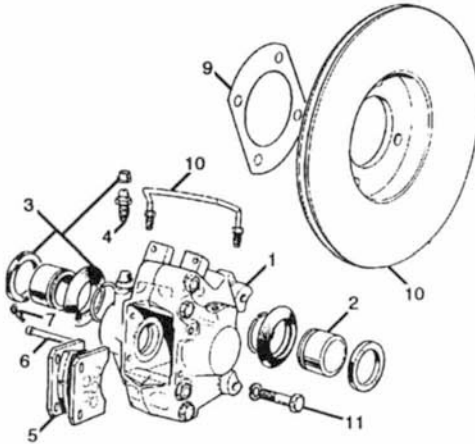




FRONT CALIPERS

#	PART #	DESCRIPTION	QTY. REQ.
1.	AAU-2102-R	RHF CALIPER (REBUILT)	1
1A.	AAU-2102-CR	CORE DEPOSIT REQUIRED	1
1B.	AAU-2103-R	LHF CALIPER (REBUILT)	1
1C.	AAU-2103-CR	CORE DEPOSIT REQUIRED	1
2.	64327369	FRONT BRAKE PISTON	8
3.	SP-2887	SEAL AND DUST BOOT KIT	1
4.	RTC-1115	BLEEDER SCREW	2
5.	GP-244	FRICTION PAD SET	1
6.	12292	FRICTION PAD RETAINING CLIP	4
7.	* 11369	RETAINING PIN CLIP	1
8.	JLM-1539	RETAINING PIN AND CLIP KIT	1
9.	CAC-2647	FRONT DISC (ROTOR)	2

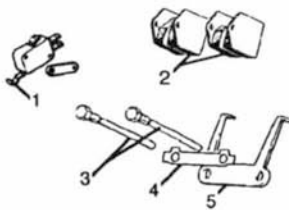
* KIT INCLUDES PINS AND CLIPS FOR BOTH FRONT CALIPERS.



REAR CALIPERS

#	PART #	DESCRIPTION	QTY. REQ.
1.	AAU-3378-R	RH CALIPER (REBUILT)	1
1A.	AAU-3378-CR	CORE DEPOSIT REQUIRED	1
1B.	AAU-3379-R	LH CALIPER (REBUILT)	1
1C.	AAU-3379-CR	CORE DEPOSIT REQUIRED	1
2.	64321392	REAR BRAKE PISTON	4
3.	SP-4095	SEAL AND DUST BOOT KIT	1
4.	11375	BLEEDER SCREW	2
5.	GP-97	FRICTION PAD SET	1
6.	* JLM-1540	RETAINING PIN AND CLIP KIT	1
7.	11369	RETAINING PIN CLIP	4
8.	C-33440-2	DISC CENTERING SHIM (.010")	A/R
8A.	C-33440	DISC CENTERING SHIM (.020")	A/R
9.	C-26779	REAR DISC (ROTOR)	2
10.	AEU-1068	BRIDGE PIPE	2
11.	C-30251	MOUNTING BOLT	4

* KIT INCLUDES PINS AND CLIPS FOR BOTH REAR CALIPERS.



HANDBRAKE

#	PART #	DESCRIPTION	QTY. REQ.
1.	C-44358	HANDBRAKE WARNING SWITCH	1
2.	GP-175	FRICTION PAD SET	1
3.	8016	BOLT	4
4.	9751	TAB WASHER	2
5.	9750	RETRACTION PLATE	2

HYDRAULICS AND SERVO

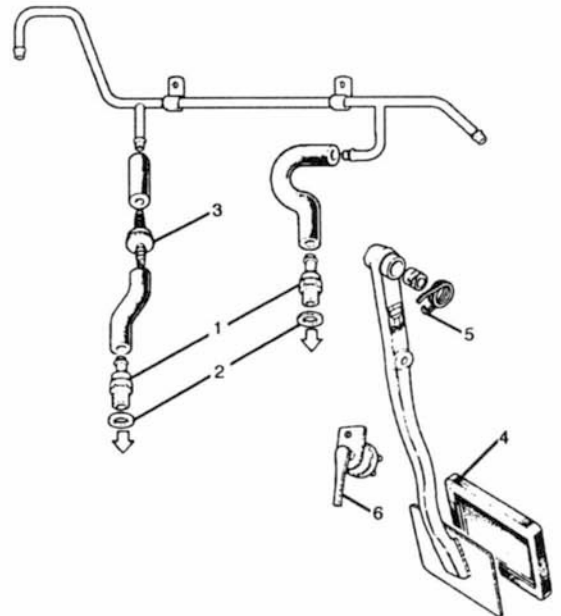
#	PART #	DESCRIPTION	QTY. REQ.
1.	64049746	SERVO (1976-77)	1
1A.	74049095	SERVO (1977 ON)	1
2.	SP-7392	SERVO SERVICE KIT	1
NOTE: SERVO DIAPHRAM NOT INCLUDED IN SERVICE KIT AND IS NOT AVAILABLE AS A SERVICE PART.			
3.	74066132	MASTER CYLINDER (1977 ON)	1
4.	SP-7649	MASTER CYL. SERVICE KIT (1977)	1
4A.	SP-7673	MASTER CYL. SERVICE KIT (1977 ON)	1
5.	CAC-4578	RESERVOIR & CAP (TO 1988 NO A.B.S.)	1
6.	C-45055	COVER AND SWITCH	1
7.	C-33081	BRAKE RESERVOIR FILTER	1
8.	C-41668	BIAS VALVE (PDWA) TO 1983	1
9.	GHP-101	FRONT HOSE (1976-77)	2
9A.	GHP-64	FRONT HOSE (1977 ON)	2
9B.	GHP-65	REAR HOSE	1
	LMA	CASTROL BRAKE FLUID 12OZ.	A/R

NOTE: JAGUAR RECOMMENDS REPLACING THE BRAKE FLUID EVERY 18,000 MILES AND OVERHAULING THE SYSTEM EVERY 36,000 MILES. USE DOT 4 FLUID ONLY.



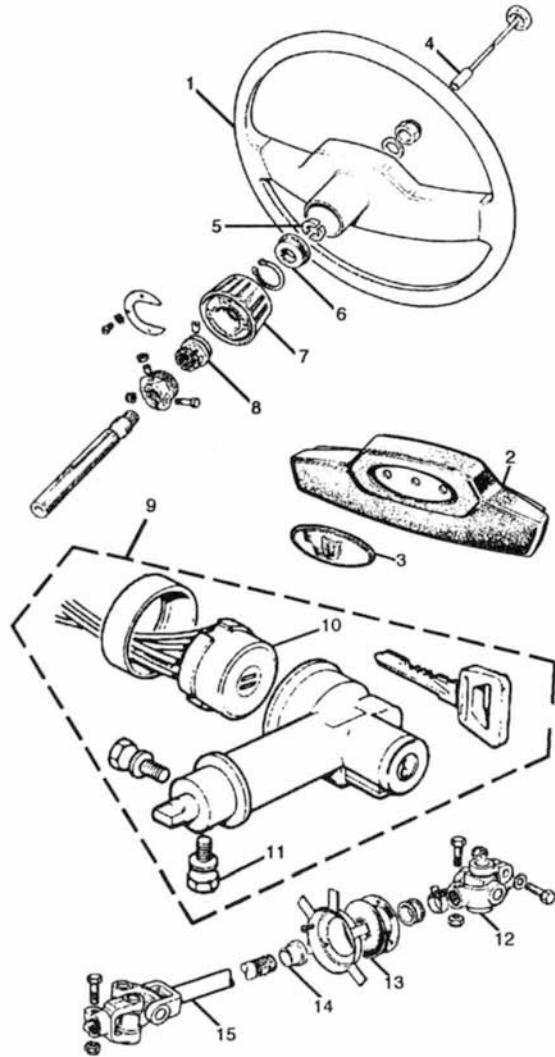
VACUUM AND CONTROLS

#	PART #	DESCRIPTION	QTY. REQ.
1.	C-37474	CHECK VALVE (TO 1987)	2
2.	C-2296-1	SEALING WASHER	2
3.	CAC-4188	CHECK VALVE (1987 ON)	1
4.	C-21515	PEDAL PAD	1
5.	C-24689	RETURN SPRING	1
6.	33814	BRAKE LIGHT SWITCH	1



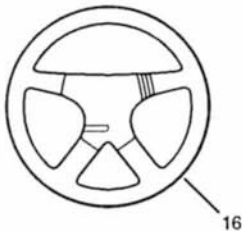
STEERING COLUMN

#	PART #	DESCRIPTION	QTY. REQ.
1.	CAC-5885	STEERING WHEEL (1982 ON)	1
2.	CAC-2418	HORN PAD (1982 ON)	1
3.	C-39046	HORN PAD MOTIF (GOLD)	1
3A.	C-40184	HORN PAD MOTIF (BLACK)	1
4.	DAC-2882	HORN GUIDE AND SLEEVE	1
5.	C-38528	SPLIT CONE (PAIR)	1
6.	CAC-3321	RUBBER IMPACT ASSEMBLY	1
7.	C-38523	LOCKING NUT	1
8.	C-38524	SPLIT COLLET	1
9.	DAC-1419	IGN. LOCK & SWITCH ASSY. (TO 1980)	1
NOTE: THE PARTS BOOK IS UNCLEAR AS TO THE EXACT POINT WHEN THE IGNITION SWITCH CHANGES. BEFORE ORDERING, CHECK YOUR OLD SWITCH. DAC-1419 HAS A SIX WIRE MOLDED PLUG AND A SINGLE WIRE PLUG. DAC-4153, THE LATER SWITCH, HAS A FIVE-WIRE MOLDED PLUG AND A TWO-WIRE MOLDED PLUG.			
9A.	DAC-4153	IGN. LOCK SWITCH ASSY. (1980 ON)	1
10.	39998-R	IGNITION SWITCH (FOR DAC-1419)	1
NOTE: THE MOLDED CONNECTOR ON THIS SWITCH WILL HAVE TO BE REMOVED AND THE ONE FROM YOUR OLD SWITCH SPLICED.			
10A.	35315	IGNITION SWITCH (FOR DAC-4153)	1
11.	DAC-4154	SHEAR BOLT	2
12.	C-32674-U	UPPER U-JOINT	1
13.	C-42001	LOWER STEERING GAITER	1
14.	C-30741	SEALING SLEEVE	1
15.	CAC-2765-3	LOWER STEERING COLUMN	1



STEERING WHEELS

#	PART #	DESCRIPTION	QTY. REQ.
ALL OF THE FOLLOWING STEERING WHEELS REQUIRE A HUB KIT, EITHER 18 OR 18A.			
16.	SPC-1124-AEM	SPORT WHEEL - MAGNOLIA	1
16A.	SPC-1124-JEF	SPORT WHEEL - ISIS BLUE	1
16B.	SPC-1124-LDY	SPORT WHEEL - SAVILLE GRAY	1
THE ABOVE STEERING WHEELS WERE PART OF THE ALL LEATHER "SPORT" OPTION UNAVAILABLE IN THE U.S. "MAGNOLIA" IS BEIGE, "ISIS BLUE" IS MEDIUM DARK BLUE, "SAVILLE GRAY" IS A MEDIUM LIGHT GRAY. AVAILABILITY IS LIMITED.			
17.	MOMO-MC-A	MONTE CARLO WHEEL 12.5"	1
17A.	MOMO-MC-B	MONTE CARLO WHEEL 13.5"	1
18.	HUB-2201	HUB KIT (TO 1992)	1
18A.	SPC-1307	HUB KIT (1992-93)	1



STEERING RACK

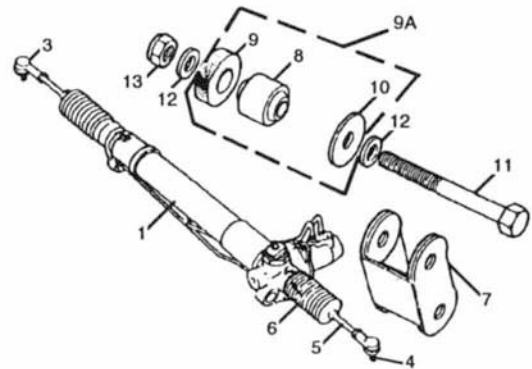
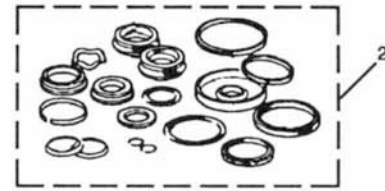
#	PART #	DESCRIPTION	QTY. REQ.
1.	CAC-5253	STEERING RACK ASSEMBLY NEW	1
1A.	1432-S	STEERING RACK ASSY. REBUILT	1
1B.	1432-S-CR	CORE DEPOSIT REQ. (NEW OR REBUILT)	1
2.	AAU-1503	SEAL KIT - (TO 1982 PRE H.E.)	1
2A.	AEU-1432	SEAL KIT - (1982 ON H.E.)	1

NOTE: SINCE THE EARLY AND LATE RACKS ARE INTERCHANGEABLE, IF YOU ARE NOT SURE THAT THE RACK IN YOUR CAR IS ORIGINAL, MEASURE THE INSIDE DIAMETER OF THE OUTER TIE ROD END. THE EARLY TIE ROD END IS APPROXIMATELY 9/16" I.D., THE LATE TIE ROD END IS APPROXIMATELY 1/2" I.D. ORDER RACK KITS AND TIE ROD ENDS ACCORDINGLY.

3.	JLM-9726	OUTER TIE ROD END (TO 1982 PRE H.E.)	2
3A.	JLM-9660	OUTER TIE ROD END (1982 ON H.E.)	2
4.	EAW-2270	TIE ROD END GAITER	2
5.	JLM-409	INNER TIE ROD END (1982 ON H.E.)	2
6.	C-33417	RACK BELLOWS	2
7.	CAC-2037	STIFFENER BRACKET	1
8.	CAC-1634	MOUNTING BUSHING	3
9.	C-29406	THRUST WASHER	4
9A.	CAC-1634-K	MOUNTING KIT	1
9B.	CAC-1634-RP	POLYURETHANE MOUNTING KIT	1
10.	C-29407-1	MOUNTING WASHER (SHIM)	A/R

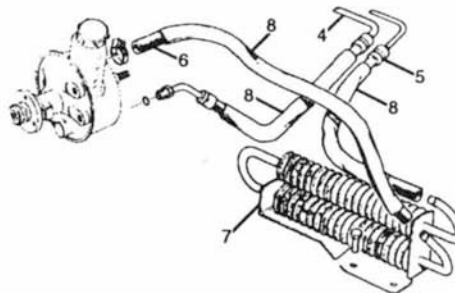
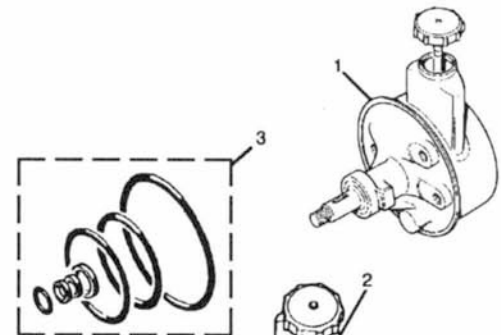
NOTE: THE FOLLOWING THREE ITEMS ARE AVAILABLE AT YOUR LOCAL HARDWARE STORE.

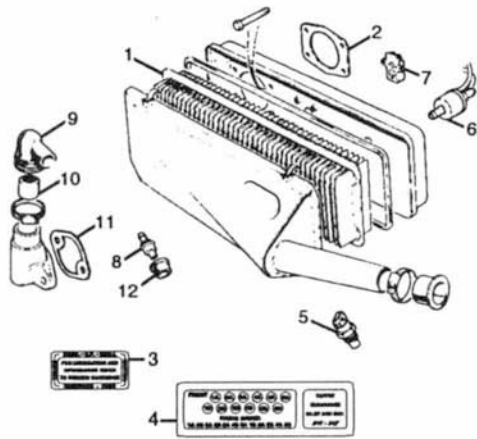
11.	—	BOLT - 5/16" x 2-3/4" SAE - GRADE 5	2
12.	—	PLAIN WASHER - 5/16"	4
13.	—	NYLON SELF LOCK NUT - 5/16" SAE	2



PUMP AND HOSES

#	PART #	DESCRIPTION	QTY. REQ.
1.	C-28457	NEW PUMP (TO VIN #2W52075 EARLY 1977)	1
2.	EAC-3167-R	REBUILT PUMP (VIN #2W52074 ON)	1
3.	518564	PUMP SEAL KIT (FITS EITHER PUMP)	1
4.	C-45538	H.P. HOSE (TO 1982 PRE H.E.)	1
4A.	CAC-3655	H.P. HOSE (1982 ON H.E.)	1
5.	C-43722	L.P. HOSE (ALL)	1
6.	C-43604-1	L.P. RETURN HOSE (ALL)	1
7.	C-43719	OIL COOLER	1
8.	C-33139-4	INSULATING SLEEVE	3

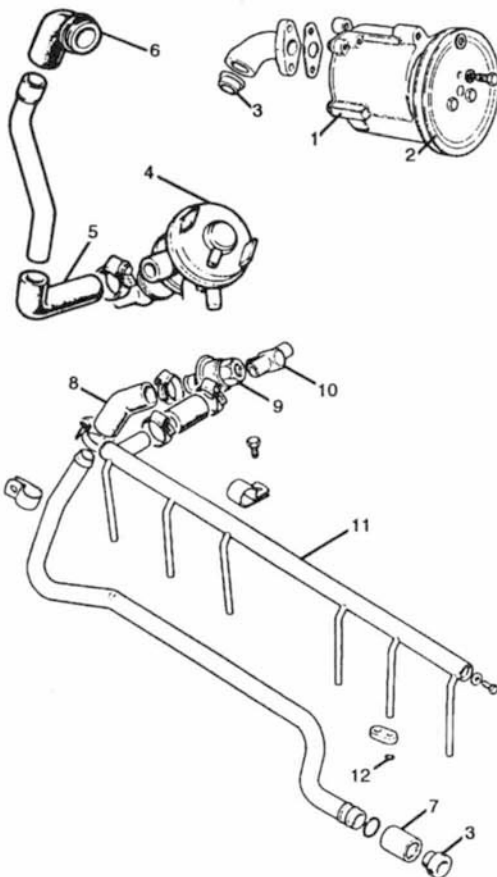




CRANKCASE BREATHER & AIR CLEANERS

#	PART #	DESCRIPTION	QTY. REQ.
1.	GFE-1088	AIR FILTER	2
2.	* C-33280	THROTTLE BODY GASKET	2
3.	DCL-1118	LUBRICATION DECAL	1
4.	DCL-1054	TAPPET / FIRING ORDER DECAL	1
5.	73141	AIR TEMPERATURE SENSOR (1976-79)	1
6.	EAC-4161	SUPPLEMENTARY AIR VALVE	1
7.	DAC-5061	AIR TEMPERATURE SWITCH (1989 ON)	1
8.	C-44231	PCV VALVE	1
9.	C-44386	BREATHER CAP	1
10.	C-44410	BREATHER GAUZE	1
11.	* C-32366	GASKET	1
12.	C-37990	GROMMET	1

* ALSO INCLUDED IN HEAD GASKET SET #GSK-125 OR #GSK-127

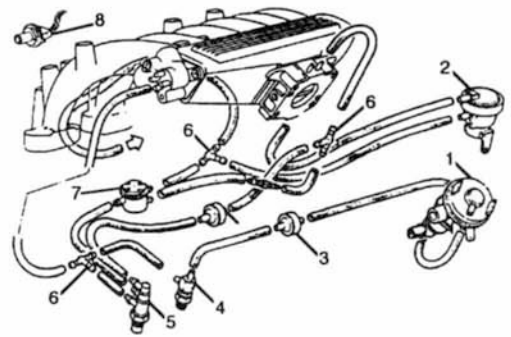


AIR INJECTION (TO 1989)

#	PART #	DESCRIPTION	QTY. REQ.
1.	EAC-3645-R	REBUILT AIR PUMP	1
1A.	EAC-3645-CR	CORE DEPOSIT REQUIRED	1
2.	EAC-4185	AIR PUMP PULLEY	1
3.	C-37990	GROMMET	1
4.	EAC-3827	AIR SWITCHING (DIVERTER) VALVE	1
5.	EAC-3954-3	HOSE	1
6.	C-35125	ELBOW HOSE	1
7.	C-44543	SEALING SLEEVE	1
8.	C-35099	EMISSION HOSE	1
9.	C-34017	EMISSION CHECK VALVE	1
10.	EAC-3714	TEE FITTING	1
11.	C-39929	AIR RAIL LH	1
11A.	C-39930	AIR RAIL RH	1
12.	C-35779	AIR RAIL O-RING	24

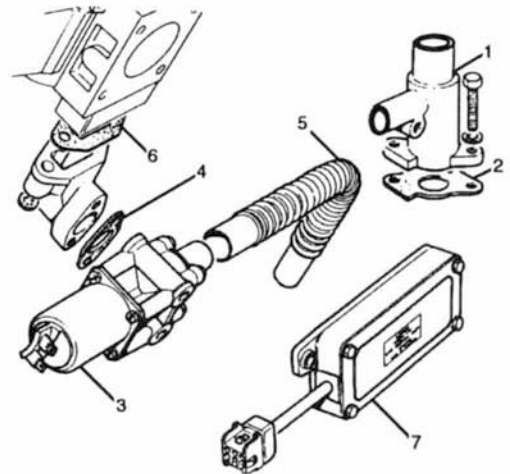
VACUUM CONTROLS

#	PART #	DESCRIPTION	QTY. REQ.
1.	EAC-3827	AIR SWITCHING (DIVERTER) VALVE	1
2.	EAC-4069	DUMP VALVE	1
3.	EAC-4025	DELAY VACUUM VALVE	2
4.	EAC-4083	THERMAL VALVE	1
5.	EAC-3488	CONTROL VALVE	1
6.	C-15644	TEE FITTING	3
7.	EAC-4012	VACUUM REGULATOR (TO 1989)	1
8.	JLM-473	THROTTLE CONTROL VALVE (1989 ON) 1	



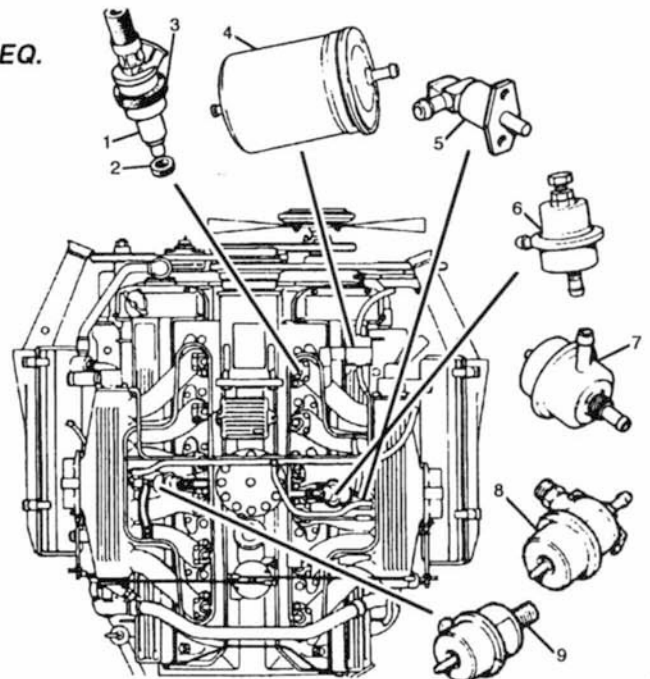
EXTRA AIR VALVE & EGR SYSTEM (TO 1980)

#	PART #	DESCRIPTION	QTY. REQ.
1.	EAC-4438	EXTRA AIR VALVE	1
2.	C-42165	AUXILIARY AIR VALVE GASKET	1
3.	EAC-1262	EGR VALVE	2
4.	C-44669	TIN OVAL EGR VALVE GASKET	2
5.	C-44844	EGR TUBE RH	1
NOTE: THE LEFT HAND SIDE EGR TUBE, PART #C-44845, IS NO LONGER AVAILABLE.			
6.	C-44394	EXHAUST MANIFOLD GASKET	2
7.	73158	EGR CONTROLLER	1

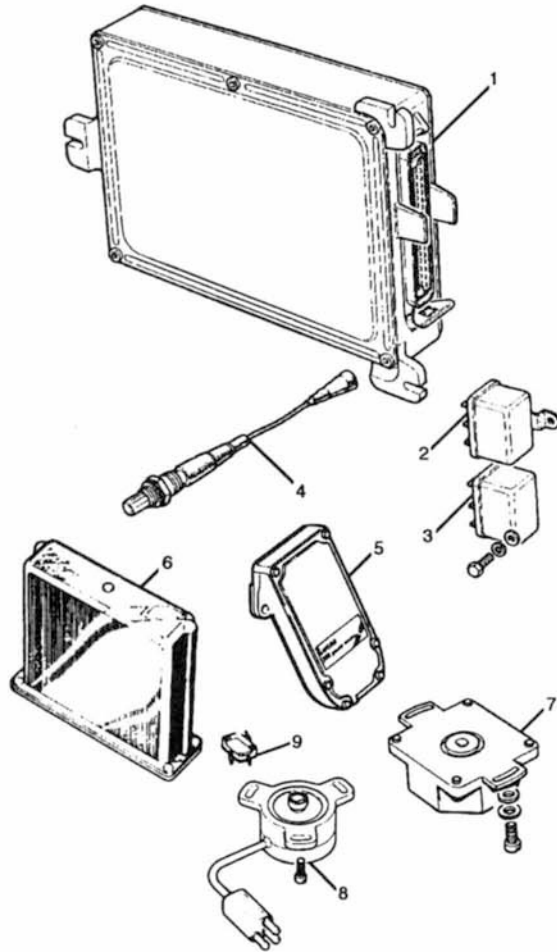


FUEL INJECTION

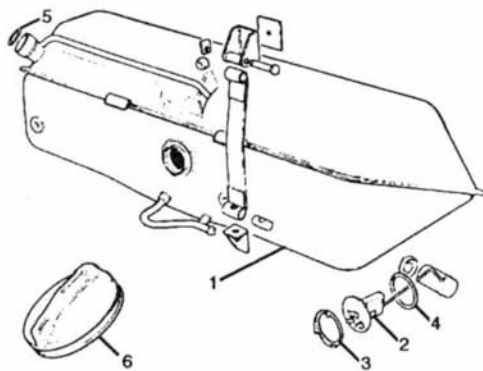
#	PART #	DESCRIPTION	QTY. REQ.
1.	73143	FUEL INJECTOR (1976-79)	12
1A.	73178	FUEL INJECTOR (1980-84)	12
1B.	73303	FUEL INJECTOR (1985 ON - SHORT HOSE)	10
1C.	73304	FUEL INJECTOR (1985 ON - LONG HOSE)	2
2.	EAC-2415	INJECTOR SEAL RING	12
3.	EAC-2414	INJECTOR SEAL RING	12
4.	TKC-6055	FUEL FILTER	1
NOTE: FUEL FILTER IS LOCATED NEAR THE FUEL TANK ON 1982 OR NEWER CARS.			
5.	73180	COLD START INJ. (WHEN EQUIPPED)	2
6.	73146	PRESSURE REGULATOR (1977-79)	2
7.	73177	PRESSURE REGULATOR (1980-83)	1
8.	73232	PRESSURE REGULATOR (OUTLET RH)	1
9.	EBC-2606	PRESSURE REGULATOR (INLET LH)	1



CONTROL UNIT AND ELECTRONICS



#	PART #	DESCRIPTION	QTY. REQ.
1.	83408-R	REBUILT CONTROL UNIT (1976 ONLY)	1
1A.	83408-CR	CORE DEPOSIT REQUIRED	1
1B.	84253-R	REBUILT CONTROL UNIT (1977-89)	1
1C.	84253-CR	CORE DEPOSIT REQUIRED	1
1D.	84787-R	REBUILT CONTROL UNIT (1989-92)	1
1E.	84787-CR	CORE DEPOSIT REQUIRED	1
1F.	85019-R	REBUILT CONTROL UNIT (1992-ON)	1
1G.	85019-CR	CORE DEPOSIT REQUIRED	1
2.	33355	COLD START RELAY (1976-79)	1
2A.	AGU-1068	COLD START RELAY (1980 ON)	1
2A.	AGU-1068	FUEL PUMP CUT-OFF RELAY (1980 ON)	1
3.	AGU-1070	MAIN FUEL PUMP RELAY (ALL)	1
NOTE: JAGUAR HAS SUPERCEDED THE EARLY STYLE OF RELAY, E.G. 33355, WITH SMALLER UNITS. THE RELAY YOU RECEIVE MAY DIFFER IN APPEARANCE BUT WILL BE FUNCTIONALLY CORRECT.			
4.	73211	OXYGEN SENSOR (ONE WIRE)	1
4A.	DAC-6907	OXYGEN SENSOR (THREE WIRE)	1
5.	73196	POWER RESISTOR	1
6.	DAC-2589	INTERFACE MODULE (1987 ON)	1
7.	C-43031	THROTTLE SWITCH (1976-79)	1
8.	73200	THROTTLE SWITCH (1980 ON)	1
9.	C-33509	KICKDOWN SWITCH	1

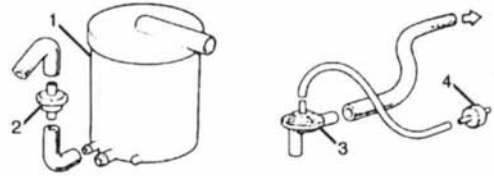


FUEL TANK AND FITTINGS

#	PART #	DESCRIPTION	QTY. REQ.
1.	EBC-5188	FUEL TANK (COUPE ONLY)	1
NOTE: FUEL TANKS FOR 1988 AND EARLIER CARS ARE NO LONGER SOLD BY JAGUAR. IF YOU NEED A TANK FOR A 1976-1988 CAR, YOU MUST PURCHASE THE LATER MODEL TANK LISTED ABOVE PLUS THE CONVERSION KIT LISTED BELOW.			
1A.	TFK-XJS	FUEL TANK FITTING KIT	1
2.	TBS-1214-014-R	REB. FUEL LEVEL SENDER (TO 1989)	1
2A.	TBS-1214-014-CR	CORE DEPOSIT REQUIRED	1
2B.	DAC-5500	FUEL LEVEL SENDER (1989 ON)	1
2C.	DAC-5500-R	REBUILT FUEL LEVEL SENDER	1
2D.	DAC-5500-CR	CORE DEPOSIT REQUIRED	1
3.	C-22053	LOCKING RING	1
4.	C-22054	FUEL SENDER GASKET	1
5.	C-46157	O-RING	1
6.	C-23601	FILLER CAP	1

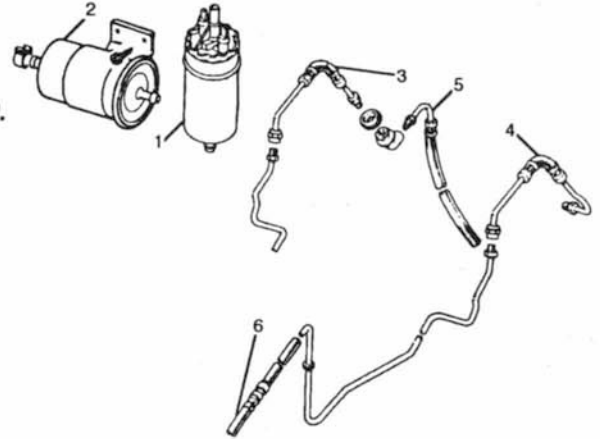
CARBON CANISTER & PURGE SYSTEM

#	PART #	DESCRIPTION	QTY. REQ.
1.	CAC-3814	CHARCOAL CANISTER	1
2.	CAC-3101	FUEL VACUUM CHECK VALVE	1
3.	CAC-6874	PURGE CONTROL VALVE	1
4.	EAC-4025	DELAY VACUUM VALVE	1

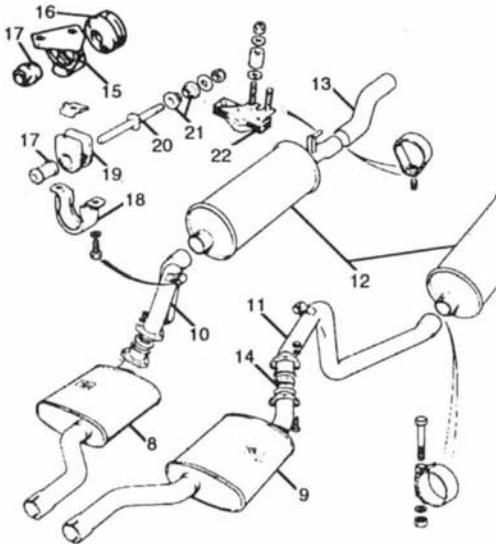
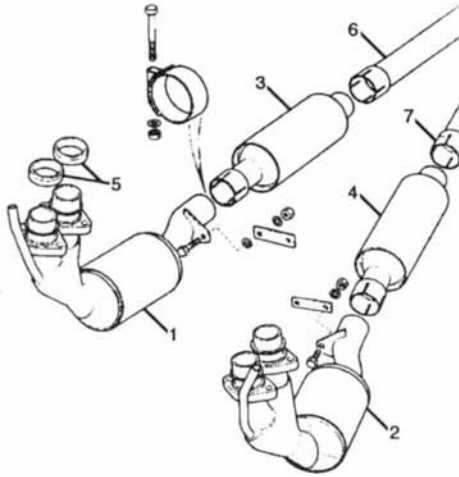


PUMP, FILTER & LINES

#	PART #	DESCRIPTION	QTY. REQ.
1.	73202	FUEL PUMP	1
2.	TKC-6055	FUEL FILTER	1
3.	CAC-2878	FUEL PIPE RH	1
4.	CAC-2879	FUEL PIPE LH	1
5.	CBC-4896	FUEL PIPE	1
6.	CBC-2179	FUEL FEED PIPE	1



EXHAUST COMPONENTS

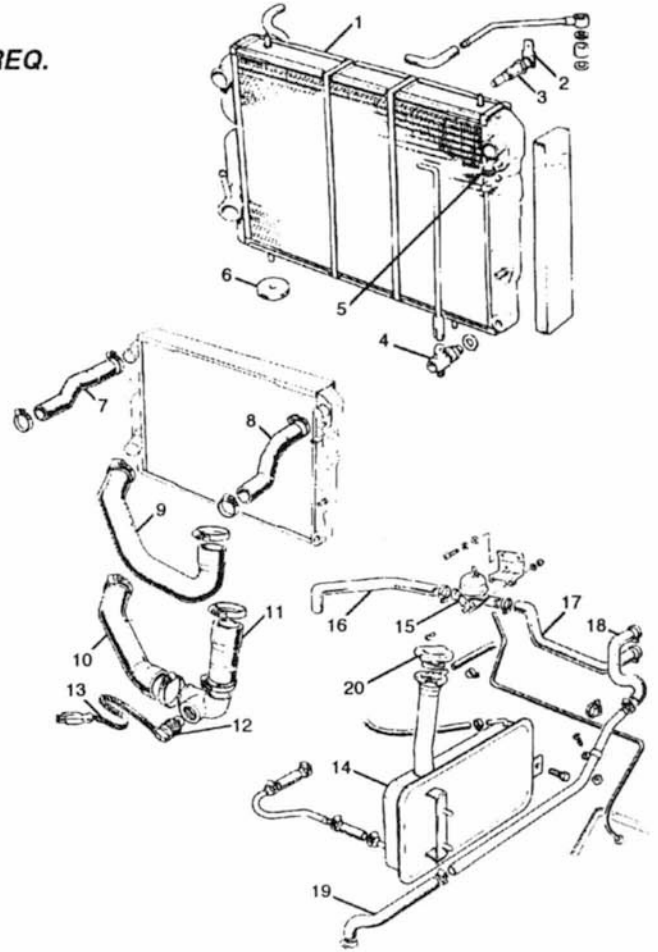


#	PART #	DESCRIPTION	QTY. REQ.
1.	CAC-4312	CATALYTIC CONVERTER (FRONT-RH)	1
2.	CAC-4313	CATALYTIC CONVERTER (FRONT-LH)	1
3.	CAC-4314	CATALYTIC CONV. (REAR-RH 1982 ON)	1
4.	CAC-4315	CATALYTIC CONV. (REAR-LH 1982 ON)	1
5.	C-18405-1	EXH. MAN. TO PIPE SEAL (TO 1987)	4
5A.	CBC-4834	STEEL OVAL EXH. SEAL (1987-91)	4
6.	3979	RH EXHAUST HEAD PIPE (TO 1979)	1
6A.	15385	RH OR LH EXH. HEAD PIPE (1979-82)	2
6B.	14811	RH OR LH EXH. HEAD PIPE (1982-91)	2
7.	3980	LH EXHAUST HEAD PIPE (TO 1979)	1
8.	3955	MUFFLER RH	1
9.	3956	MUFFLER LH	1
10.	3981	RH OVER AXLE EXHAUST PIPE	1
11.	3982	LH OVER AXLE EXHAUST PIPE	1
12.	3983	EXHAUST RESONATOR	2
13.	3984	RH CHROME EXHAUST TIP	1
13A.	3985	LH CHROME EXHAUST TIP	1
NOTE: THE ABOVE PARTS ARE ALSO INCLUDED, AS APPLICABLE, IN THE FOLLOWING EXHAUST SYSTEM KITS.			
	GES-113	EXHAUST SYSTEM KIT (1976-79)	1
	GES-114	EXHAUST SYSTEM KIT (1979-82)	1
	GES-115	EXHAUST SYSTEM KIT (1982-91)	1
14.	C-43831	EXHAUST OLIVE SEAL	2
15.	C-41559	MOUNT BRACKET RH (TO 1987)	1
15A.	C-41560	MOUNT BRACKET LH (TO 1987)	1
16.	CAC-2751	MOUNT RUBBER (TO 1987)	2
17.	C-38330	EXHAUST RECEIVER BUSHING	2
18.	CAC-2753	MOUNT BRACKET (1987-91)	2
19.	CAC-2751	MOUNT RUBBER (1987-91)	2
20.	CAC-3103	EXHAUST MOUNTING PEG	2
21.	C-44083	COLLAR	4
22.	CBC-5451	REAR MUFFLER MOUNT	2

RADIATOR AND HOSES

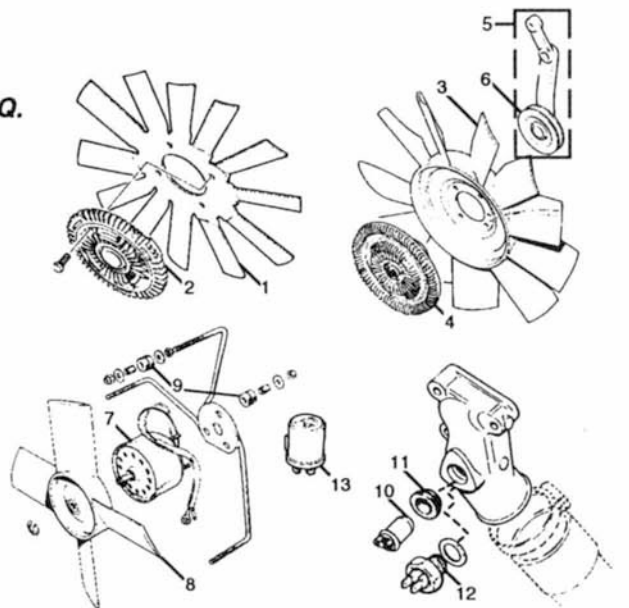
#	PART #	DESCRIPTION	QTY. REQ.
1.	C-43602-R	RADIATOR REBUILT (1975-82)	1
1A.	C-43602-CR	CORE DEPOSIT REQUIRED	1
1B.	CAC-6915	RADIATOR NEW (1982-88)	1
1C.	CAC-8600	RADIATOR NEW (1988-90)	1
2.	C-43222	LOW COLLANT PROBE	1
3.	C-43221	COOLANT PROBE SEAL	1
4.	C-4439-1	RADIATOR SENDER PETCOCK	1
5.	C-1042	PETCOCK GROMMET	1
6.	C-38333	RADIATOR MOUNTING PAD	2
7.	* C-43267	TOP LH HOSE	1
8.	* C-43266	TOP RH HOSE	1
9.	* C-41102	BOTTOM HOSE	1
10.	C-41103	BOTTOM HOSE (W/ BLOCK HEATER ONLY)	1
11.	C-41099	BOTTOM HOSE (W/BLOCK HEATER ONLY)	1
12.	EAC-9587	HEATER ELEMENT	1
13.	EAC-9588	HEATER ELEMENT CABLE	1
14.	CAC-4566	HEADER TANK (1982-87)	1
14A.	CAC-8614	HEADER TANK (1987-88)	1
15.	C-41051	HEATER VALVE	1
16.	* C-43999	ENGINE TO VALVE HOSE	1
17.	* C-41021	HOSE TO HEATER	1
18.	* C-42967	HEATER TO ENGINE HOSE	1
19.	* C-44474	HEATER HOSE	1
20.	JLM-9652	PRESSURE CAP	1

* NOTE: THESE HOSES ARE ALSO INCLUDED IN THE COMPLETE COOLING HOSE KIT, PART #GHK-115

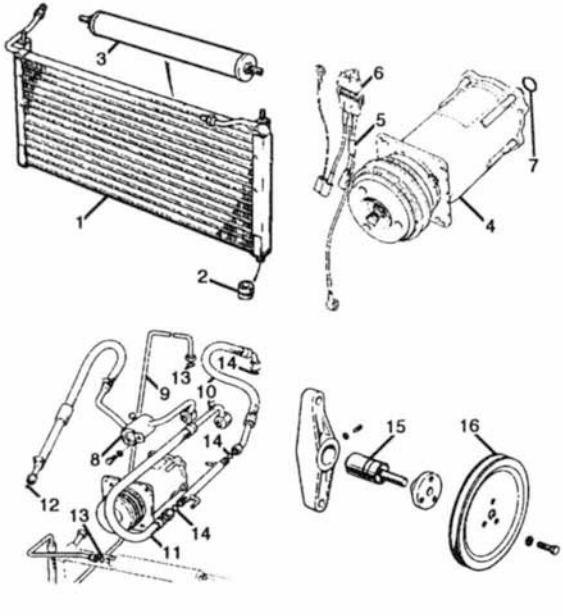


COOLING FANS

#	PART #	DESCRIPTION	QTY. REQ.
1.	C-39831	MAIN FAN BLADE (TO 1982)	1
2.	C-45015	FAN CLUTCH (TO 1982)	1
3.	EBC-4553	MAIN FAN BLADE (1982 ON)	1
4.	EAC-4751	FAN CLUTCH (1982 ON)	1
5.	EAC-8097	JOCKEY PULLEY ARM & ASSEMBLY	1
6.	EAC-8097-A	JOCKEY PULLEY KIT	1
7.	C-38009	AUXILIARY FAN MOTOR	1
8.	C-37880	AUXILIARY FAN BLADE	1
9.	CBC-1448	RAD. AND FAN MOUNT GROMMET	6
10.	C-37989	PUSH IN OTTER SWITCH (TO 1982)	1
11.	C-37990	OTTER SWITCH GROMMET	1
12.	EAC-2510	SCREW-IN FAN SWITCH (1982 ON)	1
13.	33374	FAN RELAY	1

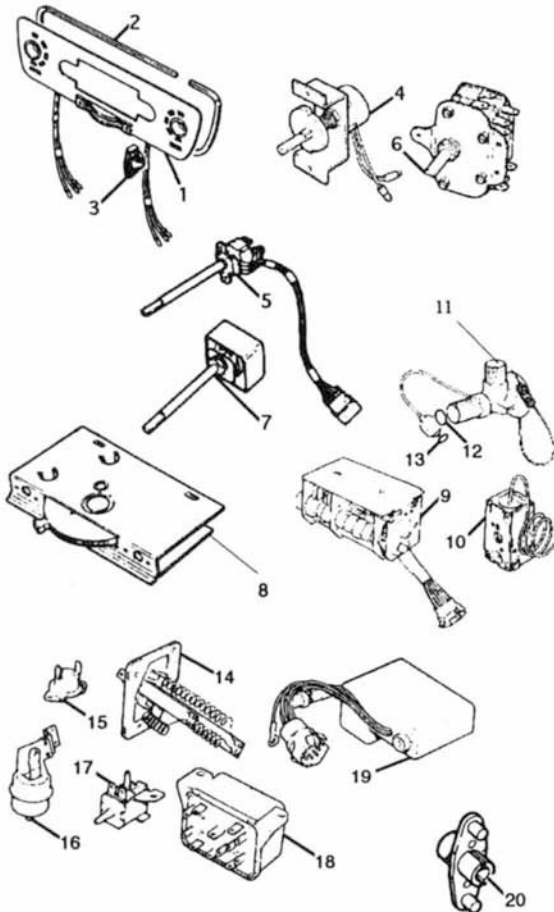


A/C CONDENSOR, DRYER, HOSES



#	PART #	DESCRIPTION	QTY. REQ.
1.	CBC-2846	CONDENSOR (1982-91)	1
2.	CBC-1448	RAD. & FAN MOUNTING GROMMET	A/R
3.	CAC-1881	RECEIVER / DRYER (1982-91)	1
4.	EAC-1986-R	REBUILT COMPRESSOR (TO 1987)	1
4A.	EAC-3386	COMPRESSOR (1987-92)	
5.	DAC-1408	THERMAL LIMITER HARNESS	1
6.	DAC-3374	THERMAL LIMITER	1
7.	C-35864	O-RING	2
8.	CAC-2341	COMP. TO COND. HOSE (TO 1988)	1
9.	CCC-4558	DRYER TO EVAPORATOR HOSE	1
10.	CAC-3696	FUEL COOLER TO EVAP. HOSE	1
11.	CAC-3697	FUEL COOLER TO COMP. SEAL	1
12.	KRC-1156	O-RING	1
13.	KRC-1154	O-RING	3
14.	KRC-1158	O-RING	3
15.	EAC-3042	ADJUSTMENT BRACKET BEARING	1
16.	C-36014	PULLEY	1

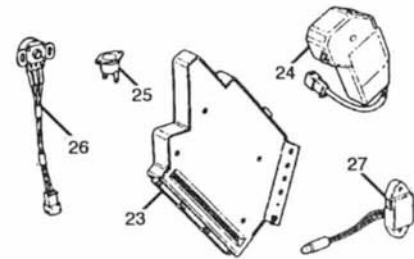
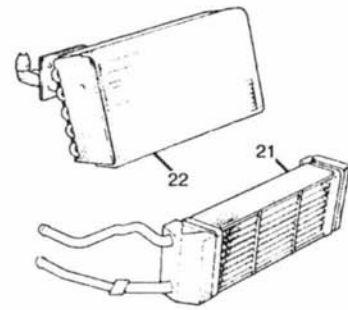
A/C CONTROLS & EVAPORATOR UNIT



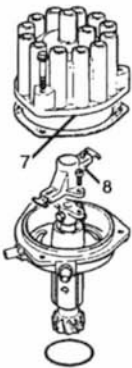
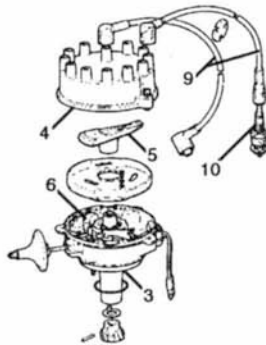
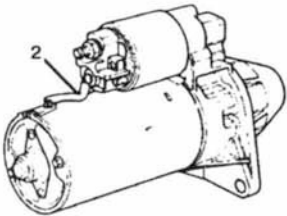
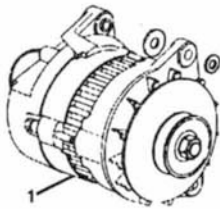
#	PART #	DESCRIPTION	QTY. REQ.
1.	DAC-4310	CONTROL PANEL	1
NOTE: IF YOU HAVE A FACTORY RADIO WITH KNOBS, ORDER THE PANEL WHICH LOOKS LIKE THE ILLUSTRATION. THE PANEL BELOW HAS A LARGE RECTANGULAR CUT-OUT FOR THE ALL-ELECTRONIC RADIO.			
1A.	DAC-4311	CONTROL PANEL	1
2.	DAC-2804	CONTROL PANEL TRIM	1
3.	C-39413	TEMPERATURE CONTROL KNOB	1
4.	RTC-1012	TEMP. CONTROL (TO 1987)	1
5.	JLM-1166	TEMPERATURE CONTROL (1987 ON)	1
6.	AEU-2743	FAN SWITCH (TO 1987)	1
7.	JLM-1161	FAN SWITCH (1987 ON)	1
8.	AEU-1686	DIFFERENTIAL CONTROL (TO 1987)	1
8A.	JLM-1162	DIFFERENTIAL CONTROL (1987 ON)	1
9.	JLM-523-R	REBUILT SERVO (TO 1987)	1
9A.	JLM-523-CR	CORE DEPOSIT REQUIRED	1
10.	AEU-1675	THERMOSTAT (TO 1987)	1
11.	CAC-2423	EXPANSION VALVE	1
12.	KRC-1156	O-RING	A/R
13.	KRC-1152	O-RING	A/R
14.	RTC-677	RESISTOR (TO 1987)	1
15.	RTC-672	TEMPERATURE SWITCH	1
16.	RTC-684	VACUUM SOLENOID	1
17.	RTC-670	VACUUM VALVE (TO 1987)	1
18.	33369	RELAY (TO 1987)	1
19.	C-45402	AMPLIFIER (TO 1987)	1
20.	C-42433	TEMPERATURE SENSOR (TO 1987)	1

A/C CONTROLS & EVAPORATOR UNIT CONT.

#	PART #	DESCRIPTION	QTY. REQ.
21.	AEU-1195	HEATER CORE	1
22.	AEU-1191-A	EVAPORATOR (TO 1988)	1
22A.	JLM-1197	EVAPORATOR (1988 ON)	1
23.	JLM-752-R	CONTROL UNIT (1988 ON)	1
23A.	JLM-752-CR	CORE DEPOSIT REQUIRED	1
24.	JLM-11556	SERVO MOTOR (1988 ON)	2
25.	JLM-763	TEMPERATURE SWITCH (1988 ON)	1
26.	JLM-11234	UP. FEEDBACK POT. (1988 ON)	1
26A.	JLM-11235	LW. FEEDBACK POT. (1988 ON)	1
27.	JLM-748	EVAPORATOR SENSOR (1988 ON)	1

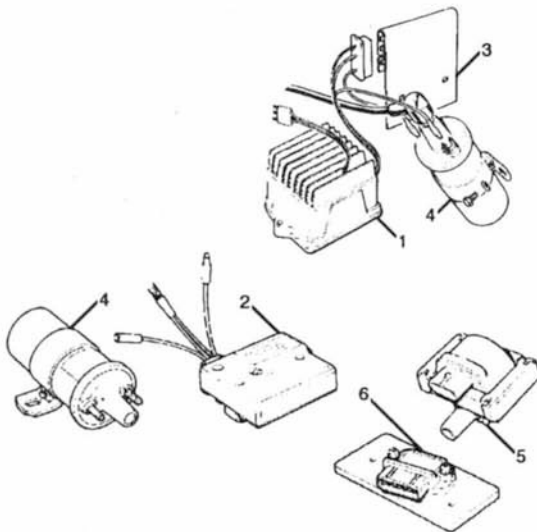


ALTERNATOR, STARTER, DISTRIBUTOR



#	PART #	DESCRIPTION	QTY. REQ.
1.	A-2011	REBUILT ALTERNATOR (1976)	1
1A.	A-2505	REBUILT ALTERNATOR (77-80)	1
1B.	A-2512	REBUILT ALTERNATOR (81-83)	1
1C.	A-2513	REBUILT ALTERNATOR (84-91)	1
1D.	AEU-1390-R	REBUILT LUCAS ALT. 75 AMP (92 ON)	1
1E.	DAC-5224-R	REBUILT BOSCH ALT. 115 AMP (92 ON)	1
NOTE: ALL OF THE ABOVE ALTERNATORS ARE REBUILT, AND A CORE DEPOSIT IS REQUIRED, WHICH WILL BE REFUNDED WHEN YOU RETURN YOUR OLD REBUILDABLE UNIT.			
2.	S-3113-R	REBUILT STARTER	1
2A.	S-3113-CR	CORE DEPOSIT REQUIRED	1
3.	41622	DISTRIBUTOR (1976)	1
3A.	41770	DISTRIBUTOR (78-79)	1
NOTE: THE ABOVE DISTRIBUTORS WILL FIT ANY XJS, BUT YOU MAY HAVE TO SWAP PARTS FROM YOURS. WE OFFER THEM PRIMARILY IF YOU HAVE A DAMAGED DISTRIBUTOR SHAFT OR A DAMAGED HOUSING.			
4.	DDB-153	DISTRIBUTOR CAP (76-82)	1
4A.	DDB-128	DISTRIBUTOR CAP (82-89)	1
5.	DRB-115	IGNITION ROTOR (76-82)	1
5A.	DRB-135	IGNITION ROTOR (82-89)	1
6.	54423391	PICKUP COIL (1976)	1
6A.	DPB-101	PICKUP COIL (77-82)	1
6B.	DPB-107	PICKUP COIL (82-89)	1
7.	JLM-1909	DISTRIBUTOR CAP (89 ON)	1
8.	JLM-1911	DISTRIBUTOR ROTOR (89 ON)	1
9.	IGN-W12	IGNITION WIRE SET (TO 89)	1
9A.	JLM-11016	IGNITION WIRE SET (89 ON)	1
10.	N-9-Y-C	SPARK PLUG (76-82)	12
10A.	RS-9Y-C	SPARK PLUG (82 ON)	12

IGNITION SYSTEM

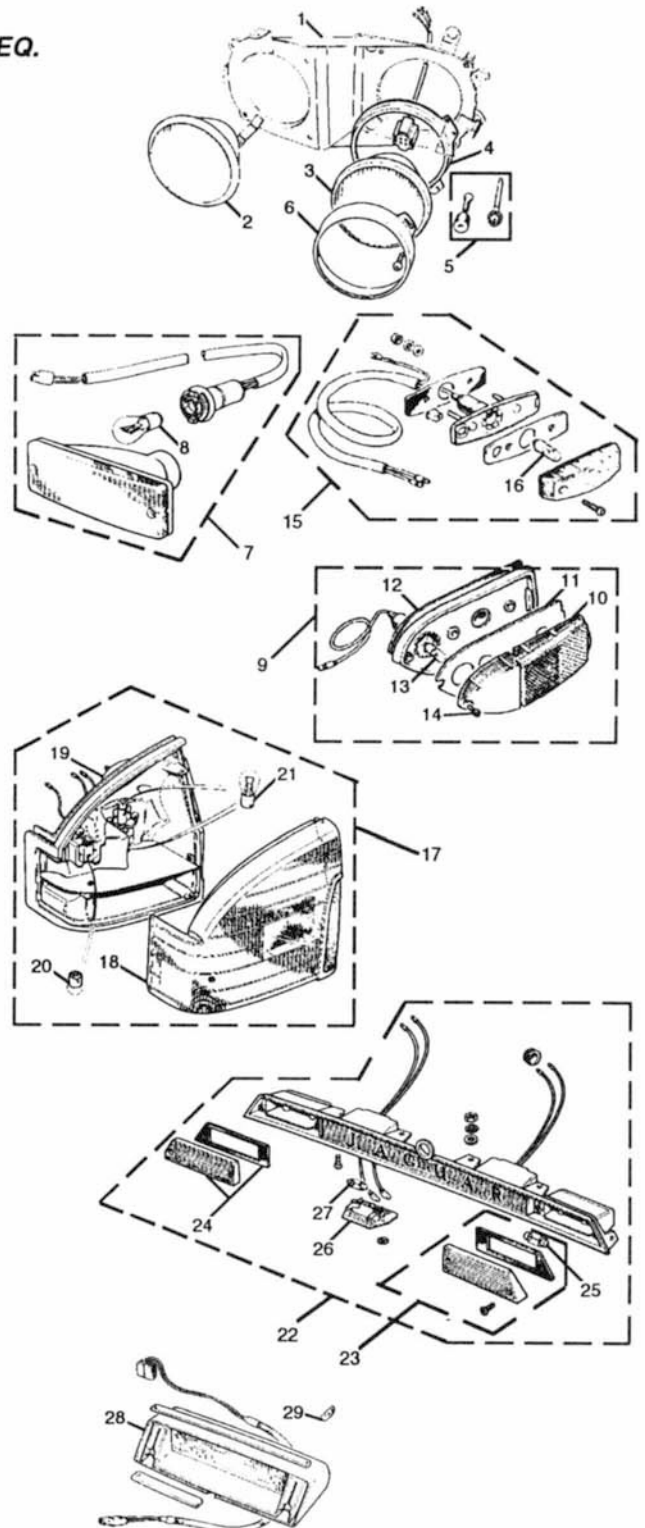


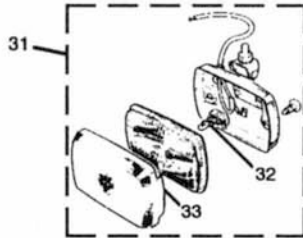
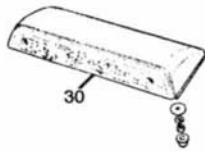
#	PART #	DESCRIPTION	QTY. REQ.
1.	60410364	AMPLIFIER (76-78)	1
1A.	DAB-109	AMPLIFIER (78-82)	1
2.	DAB-106-R	AMPLIFIER (82-89)	1
3.	47229	BALLAST RESISTOR (76-79)	1
3A.	DAC-2043	BALLAST RESISTOR (79-82)	1
4.	CL-11	IGNITION COIL (76-80)	1
4A.	CL-97	IGNITION COIL (80-82)	1
4B.	* DAC-6093	MAIN OR AUXILIARY COIL (82-89)	1
5.	DAC-4608	IGNITION COIL (89 ON)	2
6.	DAC-4607	AMPLIFIER (89 ON)	2

*NOTE: ON CARS FROM (82-89) H.E., ORIGINALLY THE COILS WERE TWO DIFFERENT PARTS. JAGUAR HAS SUPERCEDED BOTH COILS TO THIS NUMBER, WHICH ARE A DIFFERENT STYLE.

EXTERIOR LAMPS

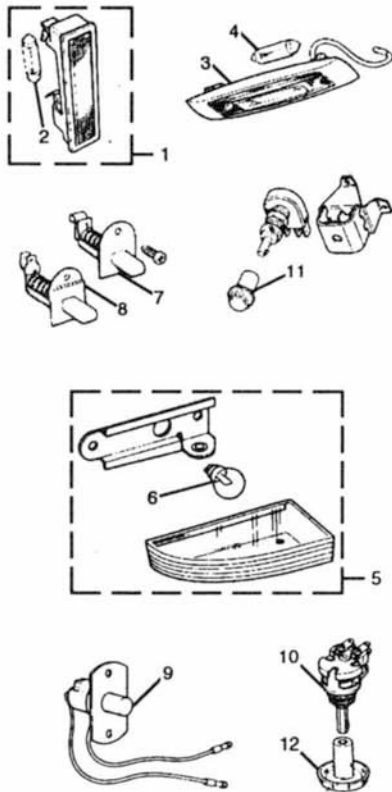
#	PART #	DESCRIPTION	QTY. REQ.
1.	AEU-2594	HEADLAMP MOUNT. BRACKET RH	1
1A.	AEU-2593	HEADLAMP MOUNT. BRACKET LH	1
2.	WAG-HI	INNER HALOGEN HEADLAMP, HIGH	2
3.	WAG-LO	OUTER HALOGEN H. LAMP HI/LOW	2
4.	AEU-1365	OUTER SEATING RIM	2
4A.	AEU-1364	INNER SEATING RIM	2
5.	AEU-1366	ADJUSTING SCREW KIT	2
6.	54524588	HEADLAMP RETAINING RIM	4
7.	56881	FRONT TURN LAMP ASSEMBLY	2
8.	LLB-380	BULB	2
9.	54920	RH FRONT SIDE MARKER ASSY.	1
9A.	54921	LH FRONT SIDE MARKER ASSY.	1
10.	54579189	RH SIDE MARKER LENS	1
10A.	54579190	LH SIDE MARKER LENS	1
11.	54579306	SIDE MARKER LENS GASKET	2
12.	BD-46717	RH BASE-TO-BODY GASKET	1
12A.	BD-46718	LH BASE-TO-BODY GASKET	1
13.	LLB-233	BULB	2
14.	SM-SCREW	RETAINING LENS SCREW	2
15.	C-27420	FT SIDE MARKER ASSY. (EUROPEAN)	2
16.	LLB-233	BULB	2
17.	56961	RH TAILLAMP ASSEMBLY	1
17A.	56962	LH TAILLAMP ASSEMBLY	1
18.	54591236	RH LENS	1
18A.	54591235	LH LENS	1
19.	DAC-5502	RH GASKET	1
19A.	DAC-5501	LH GASKET	1
20.	LLB-207	TURN SIGNAL BULB	2
21.	LLB-382	TAILLAMP/STOP BULB	4
22.	56648	REVERSE LAMP ASSEMBLY (76-82)	1
22A.	57337	REVERSE LAMP ASSEMBLY (82-92)	1
23.	AAU-2044	RH REVERSE LAMP LENS	1
24.	AAU-2045	LH REVERSE LAMP LENS	1
25.	LLB-270	FESTOON BULB	2
26.	AAU-2043	LICENSE LAMP LENS	2
26A.	AAU-2043-H	LICENSE LAMP HOLDER REPAIR KIT	2
27.	LLB-239	FESTOON BULB	2
28.	DAC-3966	COUPE HIGH MOUNTED STOP LAMP	1
29.	LLB-501	CAPLESS BULB	4





EXTERIOR LAMPS CONTINUED

#	PART #	DESCRIPTION	QTY. REQ.
30.	DAC-4528	CONV. HIGH MOUNT. STOP LAMP	1
		NOTE: WE OFTEN RECEIVE INQUIRIES FROM OWNERS WHO WANT TO RETROFIT THE THIRD "HIGH MOUNTED" BRAKE LAMP. THIS STOP LAMP IS ATTACHED BY SLIDING ON TO BRACKETS BONDED TO THE REAR WINDOW GLASS. THESE BRACKETS ARE AVAILABLE ONLY AS PART OF THE GLASS, HENCE, FITTING THE LAMP REQUIRES REPLACEMENT OF THE WINDOW. AS AN ALTERNATIVE, WE OFFER THE STYLE FITTED TO THE CONVERTIBLE WHICH MOUNTS WITH TWO STUDS AND COULD BE ATTACHED TO THE TRUNK LID, ROOF, ETC.	
31.	DBC-3753	AMBER FOG LAMP	2
		NOTE: SAME FOG LAMP AS ORIGINAL EQUIPMENT EXCEPT THE BEAM OF LIGHT IS YELLOW. (EUROPEAN SPECIFICATION). NO CONNECTOR IS SUPPLIED ON THE WIRING HARNESS.	
32.	JLM-9588	BULB - FITS AMBER/CLEAR LAMPS	2
33.	JLM-1410	FOG LAMP COVER	2

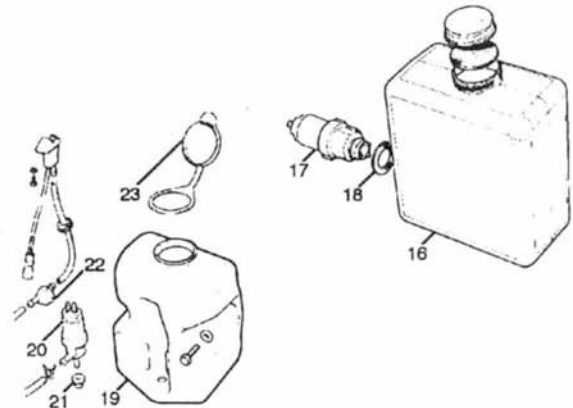
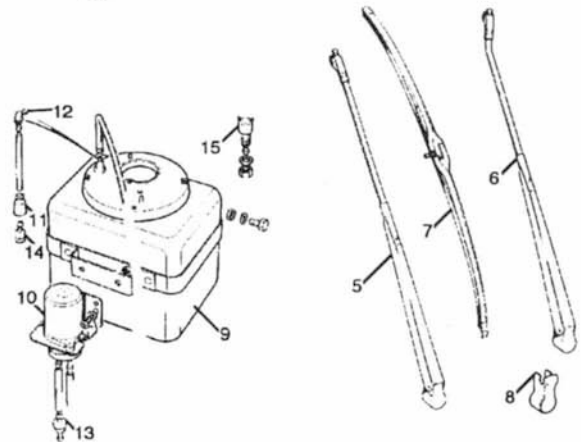
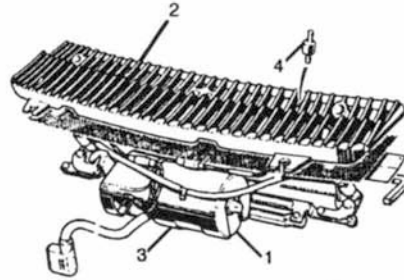


INTERIOR LAMPS

#	PART #	DESCRIPTION	QTY. REQ.
1.	DAC-1185	COURTESY/TRUNK LMP, (BLACK RIM)	A/R
1A.	DAC-1659	TRUNK LAMP, (NO RIM)	2
2.	LLB-239	FESTOON BULB	A/R
3.	C-45512	ROOF LAMP	1
4.	C-31106	SHORT FESTOON BULB	1
5.	150653	RH DOOR LAMP ASSEMBLY	1
5A.	DAC-10077	LH DOOR LAMP ASSEMBLY	1
6.	DBC-11381	BULB	2
7.	C-43304	INTERIOR COURTESY SWITCH (76-82)	2
8.	C-43305	SEAT BELT WARNING SWITCH (76-82)	1
9.	DAC-1569	COURTESY/TRUNK SWITCH (82 ON)	3
10.	78574	PANEL LAMP DIMMER SWITCH	1
11.	C-37779	PANEL DIMMER KNOB (76-82)	1
12.	DAC-1903	PANEL DIMMER KNOB (82 ON)	1

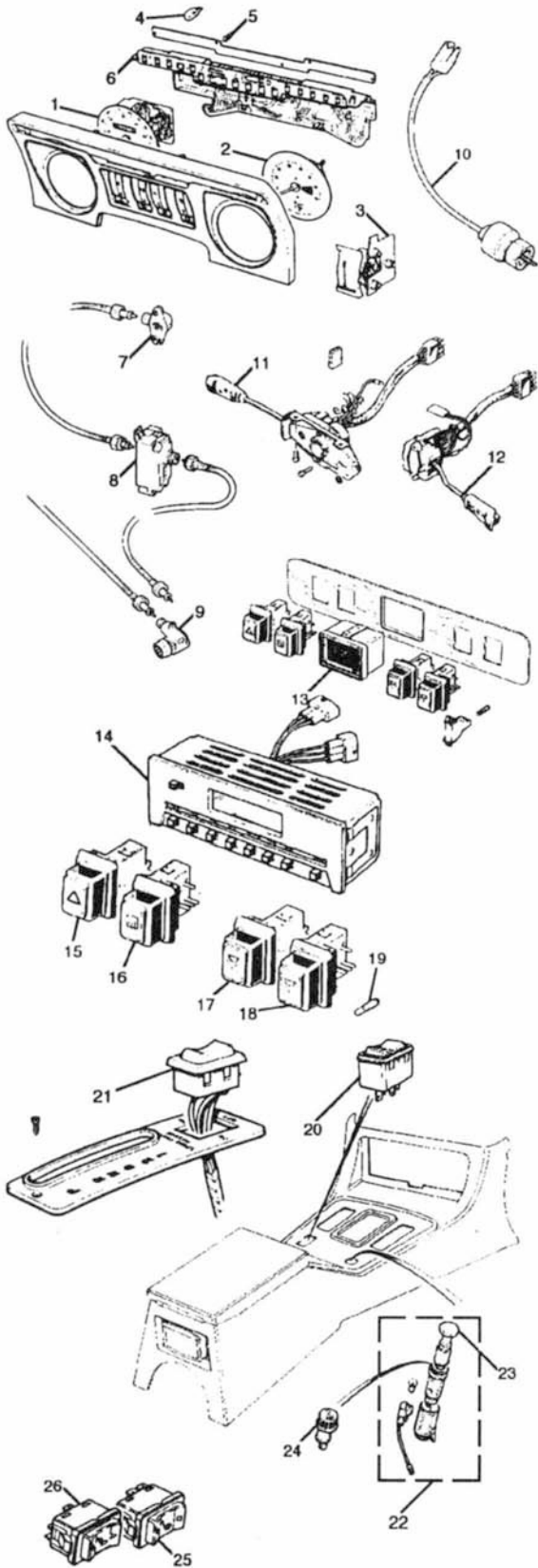
WINDSHIELD-WIPER & WASHER

#	PART #	DESCRIPTION	QTY. REQ.
1.	54072130-R	REBUILT WIPER MOTOR (76-82)	1
	54072130-CR	CORE DEPOSIT REQUIRED	1
1A.	54072143-R	REBUILT WIPER MOTOR (82-89)	1
	54072143-CR	CORE DEPOSIT REQUIRED	1
1B.	DAC-5505-RM	REBUILT WIPER MOTOR (89-92)	1
	DAC-5505-CR	CORE DEPOSIT REQUIRED	1
2.	DAC-5505	WIPER MOTOR ASSEMBLY (89-92)	1
3.	DAC-2641	RAIN SHIELD (76-89)	1
<p>NOTE: THE PRIMARY REASON THAT PRE-1989 WASHER MOTORS FAIL IS DUE TO A MISSING OR DAMAGED RAIN SHIELD. HENCE, NO WARRANTY IS GIVEN ON A REBUILT MOTOR UNLESS YOU BUY A RAINSHIELD ALSO. ANOTHER PROBLEM THAT CAUSES MOTOR FAILURE IS WHEN THE DRAIN UNDERNEATH THE MOTOR GETS PLUGGED. NO WARRANTY WILL BE GIVEN ON MOTORS THAT GIVE EVIDENCE OF HAVING BEEN SUBMERGED IN WATER.</p>			
4.	DAC-6348	WIPER GRILLE TO BODY MOUNT	2
5.	DAC-3438	LH WIPER ARM (76-89)	1
6.	DAC-3437	RH WIPER ARM (76-89)	1
7.	DAC-2657	WIPER BLADE (76-89)	2
8.	BAU-1124	WIPER ARM CAP (76-89)	2
9.	C-43038	WASHER RESERVOIR (76-82)	1
10.	C-44170	WASHER PUMP (76-82)	1
11.	C-38097	GROMMET (76-82)	1
12.	C-37332	ELBOW (76-82)	1
13.	C-44207	CHECK VALVE (76-82)	1
14.	C-44500	WASHER BOTTLE FILTER (76-82)	1
15.	C-38746	CHROME WASHER JET (76-82)	1
15A.	DAC-2923	BLACK WASHER JET (82-89)	1
16.	DAC-2612	WASHER RESERVOIR (82-84)	1
17.	DAC-2403	WASHER PUMP (82-84)	1
18.	DAC-2434	PUMP GROMMET (82-84)	1
19.	RTC-3009	WASHER RESERVOIR (84-89)	1
20.	DAC-2876	WASHER PUMP (84-89)	1
21.	BAU-2043	PUMP GROMMET (84-89)	1
22.	DAC-2963	NON RETURN VALVE (84-89)	1
23.	DAC-4888	RESVERVOIR FILLER CAP (84-89)	1



INSTRUMENT PANEL AND SWITCHES

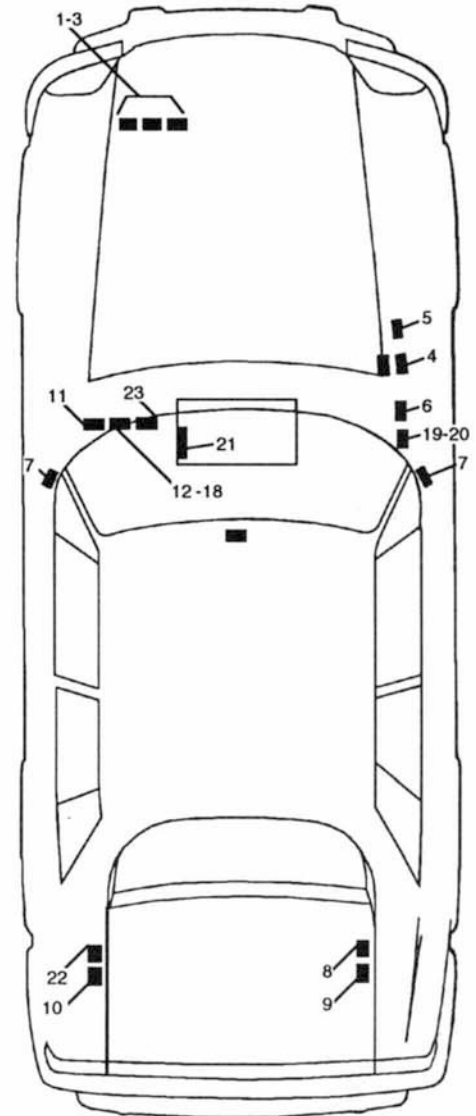
#	PART #	DESCRIPTION	QTY. REQ.
1.	DAC-2132	80MPH SPEEDOMETER (76-84)	1
2.	DAC-1750	TACHOMETER (76-89)	1
2A.	DAC-5531	TACHOMETER (89-92)	1
3.	C-46145	OIL PRESSURE GAUGE (76-92)	1
3A.	C-42238	FUEL GAUGE (76-92)	1
3B.	C-42239	BATTERY GAUGE (76-92)	1
3C.	C-42240	WATER TEMP. GAUGE (76-92)	1
4.	LLB-504	WEDGE ILLUMINATION BULB	5
5.	LLB-286	SM. WEDGE WARNING LAMP BULB	17
6.	DAC-2180	PRINTED CIRCUIT (76-84)	1
6A.	DAC-3152	PRINTED CIRCUIT (84-89)	1
6B.	DAC-4579	PRINTED CIRCUIT (89-92)	1
7.	BG-2410-40	SPEEDO ANGLE DRIVE (76-84)	1
8.	C-46270	SERVICE INTERVAL COUNTER	1
9.	BG-2402-07	NEW TRANS. ANGLE DRIVE (76-77)	1
9A.	BG-2402-07-R	REB. TRANS. ANGLE DRIVE (76-77)	1
9B.	BG-2402-CR	CORE DEPOSIT REQUIRED	1
9C.	BG-2401-10	NEW TRANS. ANGLE DRIVE (77-84)	1
9D.	BD-2401-CR	CORE DEPOSIT REQUIRED	1
10.	TES-1800-262	SPEEDO. TRANSDUCER (84-89)	1
11.	35273	TURN SIGNAL SWITCH (82-85)	1
11A.	AEU-2525	TURN SIGNAL SWITCH (85-92)	1
12.	30610	WINDSHIELD WIPER SWITCH (76-82)	1
12A.	35314	WINDSHIELD WIPER SWITCH (82-85)	1
12B.	AEU-1734	WINDSHIELD WIPER SWITCH (85-92)	1
13.	DAC-1571	CLOCK	1
14.	DAC-3758-R	REBUILT TRIP COMPUTER (TO 92)	1
14.A	DAC-3758-CR	CORE DEPOSIT REQUIRED	1
15.	30819	HAZARD WARNING SWITCH (76-82)	1
15A.	33955	HAZARD WARNING SWITCH (82-92)	1
16.	30814	HEATED R. WINDOW SWITCH (76-82)	1
16A.	33785	HEATED R. WINDOW SWITCH (82-92)	1
17.	30816	MAP LAMP SWITCH (76-82)	1
17A.	33956	MAP LAMP SWITCH (82-92)	1
18.	30818	INTERIOR LAMP SWITCH (76-82)	1
18A.	33957	INTERIOR LAMP SWITCH (82-92)	1
19.	LLB-281	ILLUMINATION BULB	2
20.	33727	WINDOW LIFT SWITCH (76-77)	2
20A.	35258	WINDOW LIFT SWITCH (78-87)	2
20B.	DAC-4890	RH WINDOW LIFT SWITCH (87-90)	1
20C.	DAC-4891	LH WINDOW LIFT SWITCH (87-90)	1
21.	35259	CRUISE CONTROL SWITCH (82-87)	1
21A.	DAC-5073	CRUISE CONTROL SWITCH (87-92)	1
22.	C-34863	CIGAR LIGHTER (76-87)	1
23.	DAC-3496	CIGAR LIGHTER - INSERT (87-92)	1
24.	C-30133	ACCESSORY ADAPTOR (76-87)	1
24A.	DAC-1836	ACCESSORY ADAPTOR (87-92)	1
25.	DAC-5076	RH HEATER SEAT SWITCH (87-92)	1
25A.	DAC-5077	LH HEATER SEAT SWITCH (87-92)	1
26.	DAC-4436	RH LUMBAR SUPPORT SW. (87-92)	1
26A.	DAC-4435	LH LUMBAR SUPPORT SW. (87-92)	1



RELAY AND DELAYS

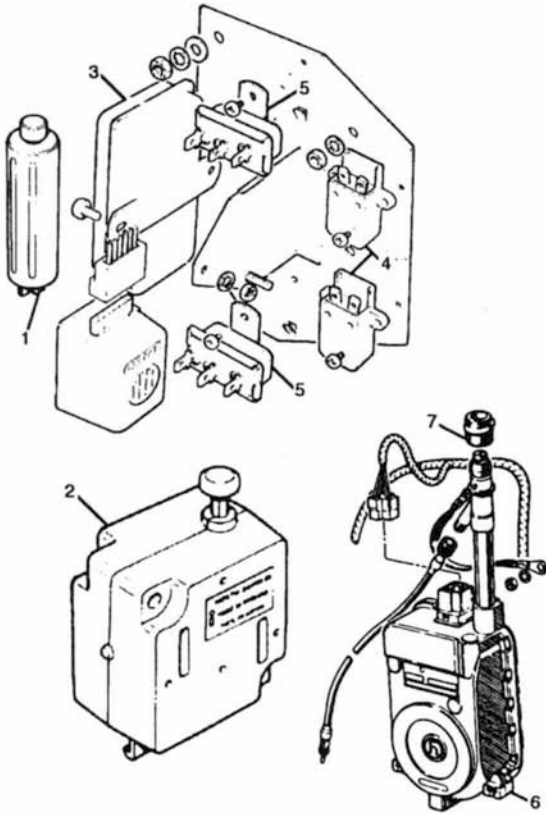
#	PART #	DESCRIPTION	QTY. REQ.
1.	C-38616	HEADLAMP DIP RELAY	1
2.	SRB-402	(76-89) HORN RELAY	1
2A.	DBC-2484	(89-92) HORN RELAY	2
3.	33374	(76-89) AUXILIARY COOLING FAN	1
3A.	DAC-1996	(89-92) AUXILIARY COOLING FAN	1
4.	33356	STARTER RELAY	1
5.	33355	(76-82) COLD START RELAY	1
5A.	SRB-304	(82-89) COLD START RELAY	1
6.	SRB-402	WINDOW LIFT RELAY	1
7.	33357	(76-89) DOOR LOCK RELAY	2
8.	AGU-1070	MAIN FUEL INJECTION RELAY	1
9.	33355	(76-82) FUEL PUMP RELAY	1
9A.	SRB-402	(82-92) FUEL PUMP RELAY	1
10.	33374	(76-82) ANTENNA RELAY	1
10A.	DAC-1820	(82-89) ANTENNA DELAY	1
10B.	SRB-304	(89-92) ANTENNA RELAY	1
11.	SRB-402	(76-89) IGNITION RELAY	1
11A.	SRB-304	IGNITION (89-92) RELAY	1
12.	DAC-4613	SEAT HEATER (89-92)	2
13.	DAC-1328	HEATED BACKGLASS (89-92) DELAY	1
14.	SRB-304	POWER SEAT (89-92) RELAY	1
15.	DBC-2483	FOG LAMP RELAY	1
16.	GFU-127	TURN SIGNAL FLASHER (76-89)	1
16A.	DAC-1731	TURN SIGNAL FLASHER (89-92)	1
17.	DAC-1329	TURN SIGNAL FLASHER (82-92)	1
18.	33384	INTERIOR LAMP (82-92) DELAY 1	1
19.	DBC-2484	STOP LAMP (89-92) RELAY	1
20.	DBC-2484	AIR CONDITIONING (89-92) RELAY	1
21.	33369	AIR CONDITIONING (76-89) RELAY	1
22.	DAC-5096	ABS MAIN (89-92)	1
23.	DAC-4506	ABS MAIN PUMP RELAY (89-92)	1

NOTE: JAGUAR HAS USED SEVERAL STYLES OF RELAYS OVER THE YEARS WHICH DIFFER IN APPEARANCE BUT ARE THE SAME ELECTRICALLY. HENCE, THE PART YOU RECEIVE MAY DIFFER FROM THE ONE YOU ARE REPLACING IF THE ORIGINAL STYLE IS NO LONGER AVAILABLE. ALSO, MOST OF THE EARLY LUCAS RELAYS USED ALPHANUMERIC TERMINAL DESIGNATIONS, HOWEVER THE NEWER STYLES USE A UNIV. NUMBERING SYSTEM. CALL US IF YOU NEED TERMINAL DESIGNATIONS TO INSTALL A LATER RELAY.



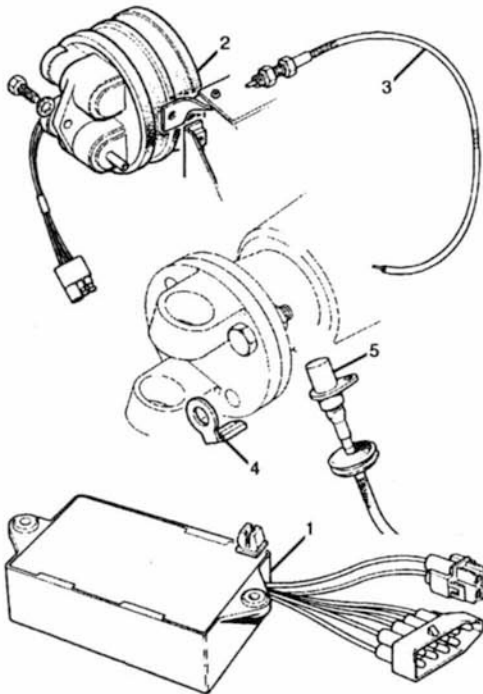
MISCELLANEOUS

#	PART #	DESCRIPTION	QTY. REQ.
1.	C-41220	INERTIA SWITCH (76-82)	1
2.	DBC-2022	INERTIA SWITCH (82-92)	1
3.	C-44031	LOW COOLANT TRANSMITTER (76-89)	1
3A.	DAC-2812	LOW COOLANT TRANSMITTER (82-92)	1
4.	C-38955	THERM. CUT-OUT, WIND LIFT, LOCK	2
5.	C-42984	LAMP FAIL. TRANSMITTER (76-89)	4
5A.	DAC-1908	FT. LAMP FAIL. TRANSMITTER (82-92)	1
5B.	DAC-1910	R. LAMP FAIL. TRANSMITTER (82-92)	1
6.	DAC-4090	UNIVERSAL ELEC. ANTENNA (76-85)	1
6A.	DAC-4090-BKT	ANTENNA ADAPTER BRACKET	1
6B.	DAC-6767	ANTENNA (85-92)	1
7.	DAC-3588	GROMMET	1



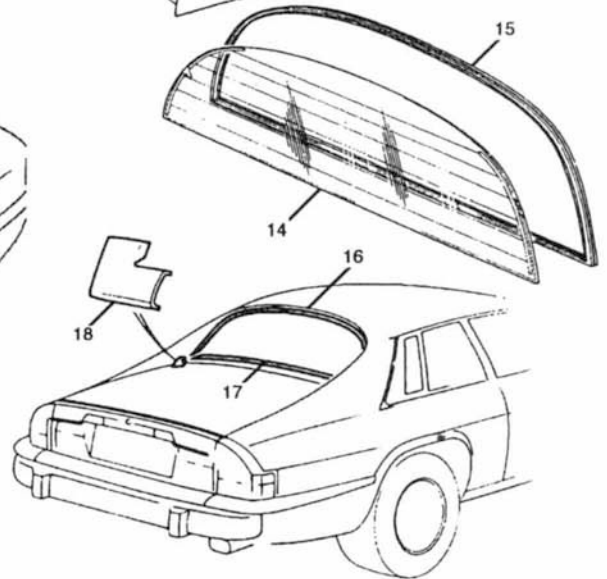
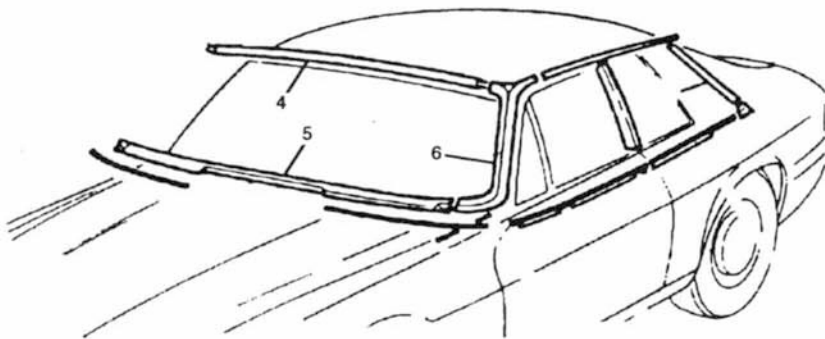
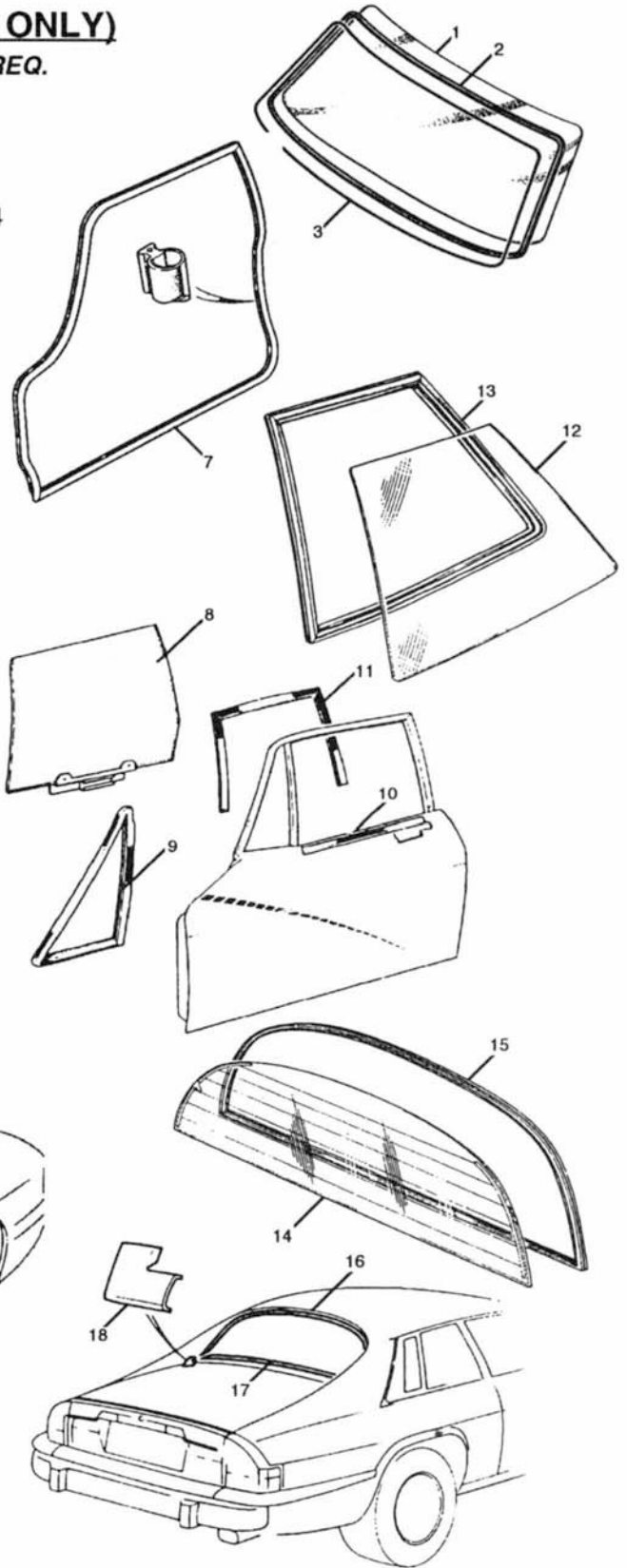
CRUISE CONTROL

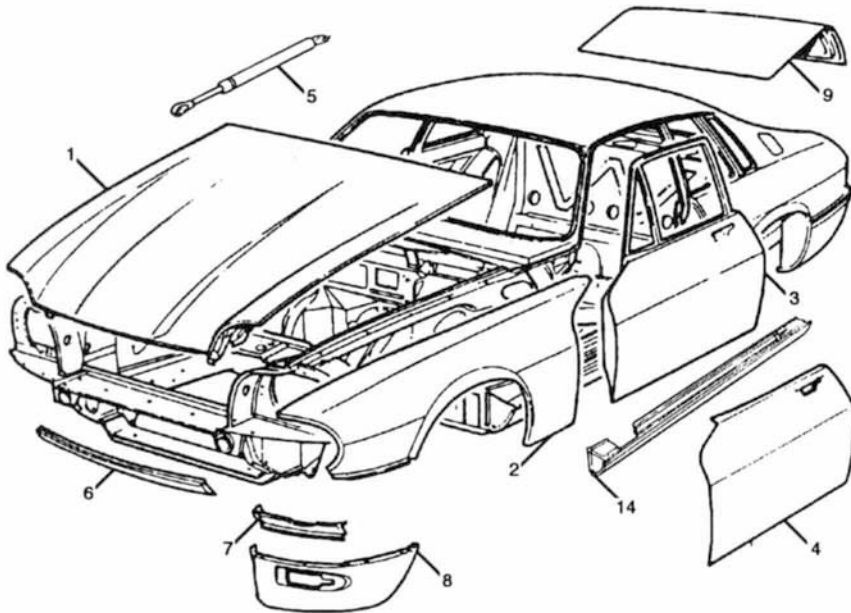
#	PART #	DESCRIPTION	QTY. REQ.
1.	DAC-1224	CRUISE CONTROL ECU. (82-83)	1
1A.	DAC-3672-R	REB. CRUISE CONTROL ECU. (83-92)	1
1B.	DAC-3672-CR	CORE DEPOSIT REQUIRED	1
2A.	AEU-4090	BELLOWS	1
2.	DAC-5964	CRUISE & BELLOWS ACTUATOR	1
3.	CBC-1382-1	SPEED CONTROL CABLE	1
4.	DAC-2035	MAGNETIC TAB	1
5.	DAC-1391	CRUISE CONTROL TRANSDUCER	1



BODY SEALS, GLASS & FINISHERS (COUPE ONLY)

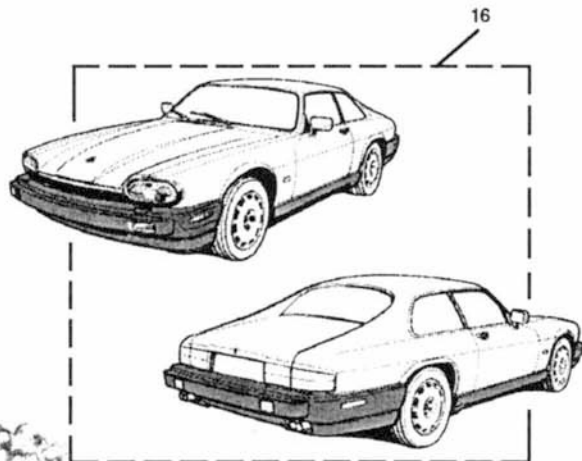
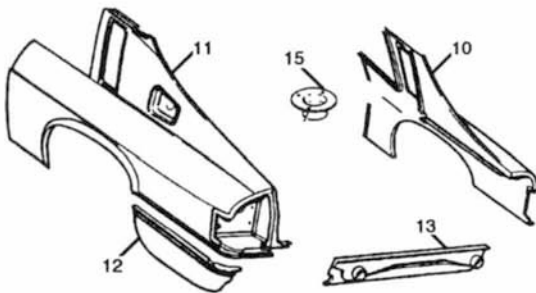
#	PART #	DESCRIPTION	QTY. REQ.
1.	FCW-348	WINDSHIELD—TINTED (76-90)	1
1A.	FCW-716	WINDSHIELD—TINTED (92-94)	1
2.	BD-44236	WINDSHIELD SEAL (TO-91)	1
2A.	BDC-7178	WINDSHIELD SEAL (92-ON)	1
3.	BD-15466	LOCKING CORD INSERT-PER FOOT	14
4.	BD-44237	UPPER CHROME FINISHER (76-92)	1
5.	BEC-1460	LOWER CHROME FINISHER (76-89)	1
6.	BD-44251	LH POST CHR. FINISHER (76-MID 82)	1
6A.	BD-44250	RH POST CHR. FINISHER (76-MID 82)	1
<p>NOTE: BD-44251 & BD-44250 WERE USED THRU VIN #106127. FOR VIN #106128 OR HIGHER, THRU 1991 MODEL YEARS, USE THE FOLLOWING PART NUMBERS:</p>			
6B.	BAC-4257	LH POST CHROME FINISHER (TO-82)	1
6C.	BAC-4256	RH POST CHROME FINISHER (TO-82)	1
7.	BAC-6019	LH/RH DOOR SEAL (TO-89)	2
8.	BD-46024	LH DOOR GLASS, CLEAR	1
8A.	BD-46024-1	LH DOOR GLASS, TINTED	1
8B.	BD-46023	RH DOOR GLASS, CLEAR	1
8C.	BD-46023-1	RH DOOR GLASS, TINTED	1
9.	BD-44773	FRONT QUARTER GLASS SEAL	2
10.	BD-46440-3	OUTER WAIST SEAL	2
11.	BBC-6292	GLASS CHANNEL	2
12.	SPB-1491	LH R. QTR. GLASS "SPORT" (92-0N)	1
12A.	SPB-1490	RH R. QTR. GLASS "SPORT" (92-0N)	1
13.	BD-46764	LH QUARTER GLASS SEAL (76-92)	1
13A.	BD-46763	RH QUARTER GLASS SEAL (76-92)	1
14.	BD-44391	BACK GLASS	1
15.	BD-44393	BACK GLASS SEAL	1
16.	BD-44394	UPPER FINISHER	1
17.	BD-44385	LOWER FINISHER	1
18.	BD-47931	CORNER FINISHER	2





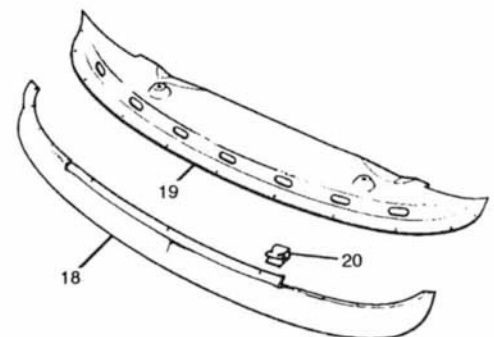
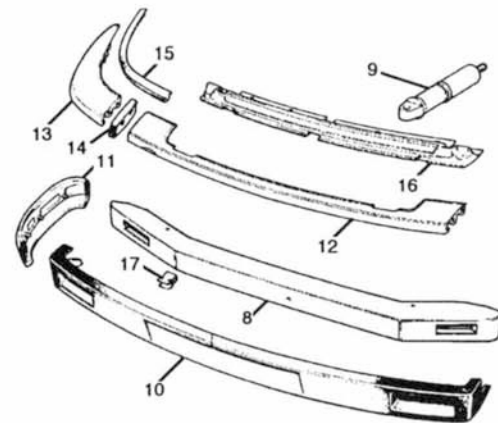
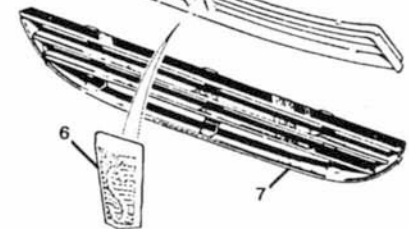
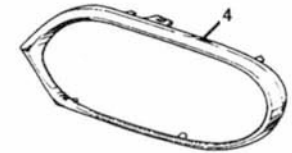
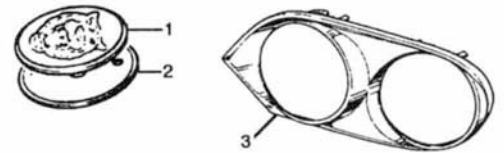
BODY PANELS

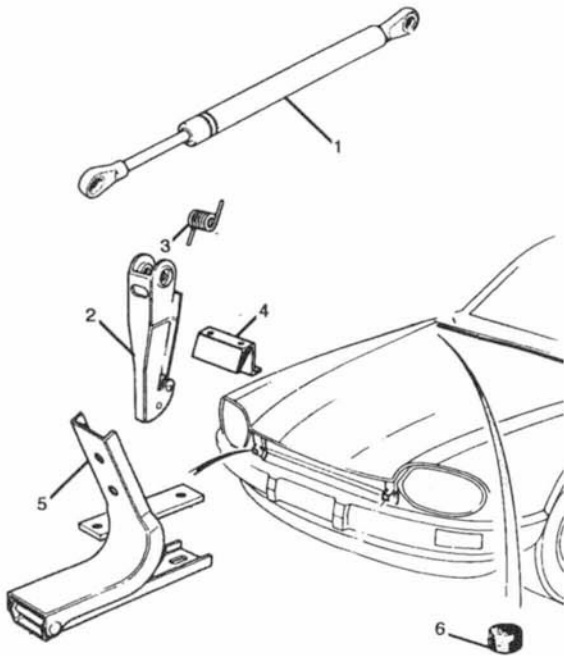
#	PART #	DESCRIPTION	QTY. REQ.
1.	RTC-1530	BONNET ASSEMBLY (76-92)	1
1A.	CBP-303	BONNET ASSEMBLY (92 ON)	1
NOTE: BONNET ASSEMBLIES ARE INTERCHANGEABLE - THE LATER STYLE HAS A HIGHER "HUMP".			
2.	RTC-1537	LH FRONT WING	1
2A.	RTC-1536	RH FRONT WING	1
3.	RTC-1533	LH DOOR SHELL	1
3A.	RTC-1532	RH DOOR SHELL	1
4.	RTC-1535	LH DOOR SKIN	1
4A.	RTC-1534	RH DOOR SKIN	1
5.	BD-48027	BONNET STRUT	2
6.	RTC-1531	FRONT VALANCE	1
7.	RTC-1547	LH FILLET PANEL	1
7A.	RTC-1546	RH FILLET PANEL	1
8.	RTC-1545	LH LOWER WING	1
8A.	RTC-1544	RH LOWER WING	1
9.	CBP-318	BOOT LID (TO-92)	1
10.	RTC-1635	RH QUARTER PANEL WING (TO-92)	1
11.	RTC-1636	LH QUARTER PANEL WING (TO-92)	1
12.	RTC-1646	LH LOWER QUARTER PANEL	1
12A.	RTC-1645	RH LOWER QUARTER PANEL	1
13.	RTC-1637	REAR VALANCE	1
14.	RTC-1628	LH OUTER SILL	1
14A.	RTC-1627	RH OUTER SILL	1
15.	JS-254	RADIUS ARM MOUNTING CUP	2
16.	SPOILER-KIT	XJR-S 4-PIECE BODY STYLING KIT	1



FRONT TRIM AND FITTINGS

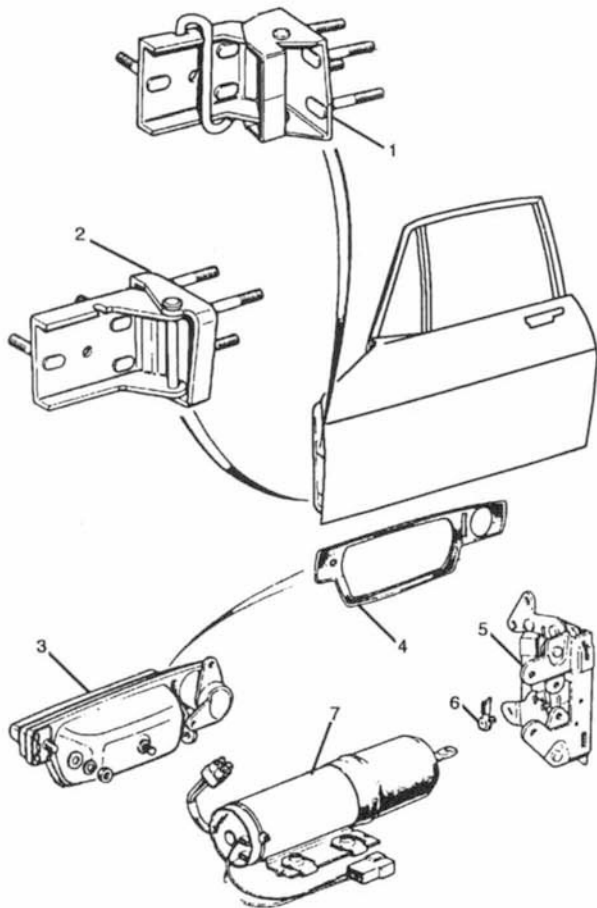
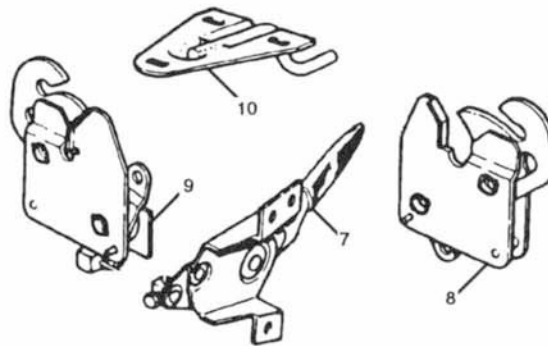
#	PART #	DESCRIPTION	QTY. REQ.
1.	BAC-3838	"S" HOOD MOTIF (82-92)	1
2.	BAC-3839	HOOD MOTIF GASKET	1
3.	BD-39875	LH HEADLAMP SURROUND	1
3A.	BD-39874	RH HEADLIGHT SURROUND	1
3B.	DAC-2137	LH H.L. SUR. W/ADJUST. CUTOUTS	1
3C.	DAC-2136	RH H.L. SUR. W/ADJUST. CUTOUTS	1
4.	BAC-5417	LH EURO HEADLAMP SURROUND	1
4A.	BAC-5416	RH EURO HEADLAMP SURROUND	1
5.	BD-48339	UPPER GRILLE	1
5A.	BD-48339-RP	UPPER GRILLE - UNPLATED	1
6.	BD-44533	GRILLE BADGE MOTF (76-88)	1
6A.	BAC-5764	GRILLE BADGE MOTIF (89-ON)	1
7.	BD-44668	LOWER GRILLE	1
8.	BD-46731	FRONT BUMPER BEAM (76-81)	1
8A.	BAC-2905	FRONT BUMPER BEAM (82-ON)	1
9.	BD-48649	FRONT BUMPER SHOCK (80-ON)	2
10.	BD-45379	FRONT BUMPER COVER (76-81)	1
10A.	BAC-1170	FRONT BUMPER COVER (82-ON)	1
11.	BAC-2935	LHF RUBBER BUMPER EXT. (82-ON)	1
11A.	BAC-2934	RHF RUBBER BUMPER EXT. (82-ON)	1
12.	BD-46711	FRONT BUMPER CENTER (76-81)	1
12A.	BAC-3347	FRONT BUMPER CENTER (82-92)	1
13.	BD-46713	LHF BUMPER EXTENSION (76-81)	1
14.	BAC-3481	LHF BUMPER SPACER (82-92)	1
14A.	BAC-3480	RHF BUMPER SPACER (82-92)	1
15.	BAC-4382	RUBBER CENTER BUMPER (82-92)	2
16.	BEC-20094	FRONT BUMP. FILLER PANEL (82-92)	1
17.	BD-21962	BUMPER CLIP	9
18.	BD-45624	LOWER SPOILER	1
19.	BAC-4261	UNDER TRAY SPLASH GUARD	1
20.	BD-21962	BUMPER CLIP	2





BONNET FITTINGS

#	PART #	DESCRIPTION	QTY. REQ.
1.	BD-48027	BONNET STRUT	2
2.	BD-31316	SAFETY CATCH	1
3.	BD-48396	RETURN SPRING	1
4.	BD-48203	STRIKER	1
5.	RTC-1675	HINGE	2
6.	BD-10224	BONNET STOP BUFFER	2
7.	BD-46115	CATCH LEVER (76-89)	1
8.	BD-43247	LH CATCH	1
9.	BD-43246	RH CATCH	1
10.	RTC-1461	THREE BOLT STRIKER	1



DOOR FITTINGS

#	PART #	DESCRIPTION	QTY. REQ.
1.	RTC-1668	LH UPPER HINGE	1
1A.	RTC-1667	RH UPPER HINGE	1
2.	RTC-1670	LH LOWER HINGE	1
2A.	RTC-1669	RH LOWER HINGE	1
3.	BBC-5932	RH OUTER HANDLE (76-87)	1
3A.	BBC-5933	LH OUTER HANDLE (76-87)	1

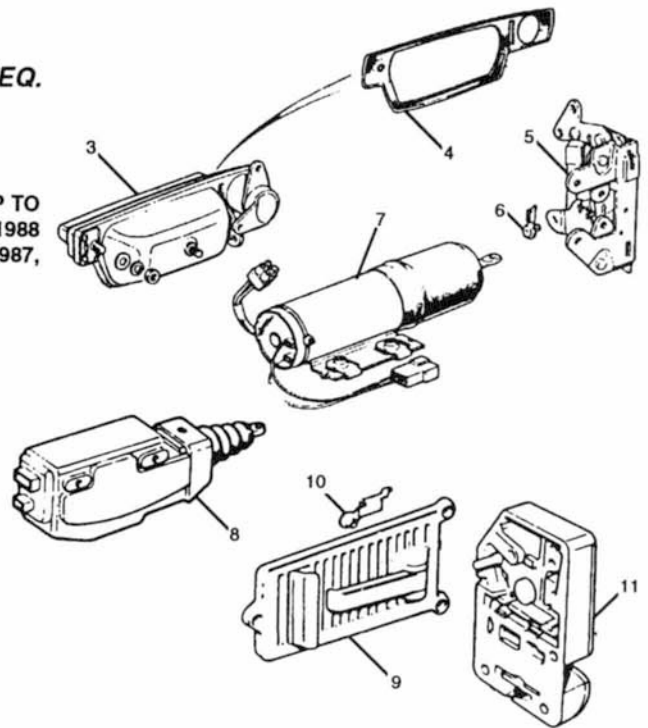
NOTE: THE ABOVE HANDLES FIT ALL CARS THRU 1987, HOWEVER THE 1976-81 CARS USED AN ALL CHROME HANDLE, THE LATER CARS USE CHROME WITH A BLACK "CUP".

STARTING IN 1987, JAGUAR STARTED USING A "SQUARE" KIEKERT LOCK SOLENOID ALONG WITH THE ROUND "LUCAS" SOLENOID. WHEN ORDERING HANDLES FOR 1987-88 CARS, CHECK WHICH SOLENOID YOU HAVE. IF YOUR CAR HAS THE KIEKERT ORDER THE HANDLES SHOWN BELOW

3B.	BBC-6560	RH OUTER HANDLE (89-92)	1
3C.	BBC-6561	LH OUTER HANDLE (89-92)	1
3D.	BDC-7603	DOOR & TRUNCK HANDLE/LOCKSET	1
3E.	BDC-7606	HANDLE/LOCKSET - ALL	1
4.	BD-45850	RH GASKET	1
4A.	BD-45851	LH GASKET	1
5.	BD-43266	RH INNER LOCK	1
5A.	BD-43267	LH INNER LOCK	1
6.	BD-44650	LINKAGE CLIP	6

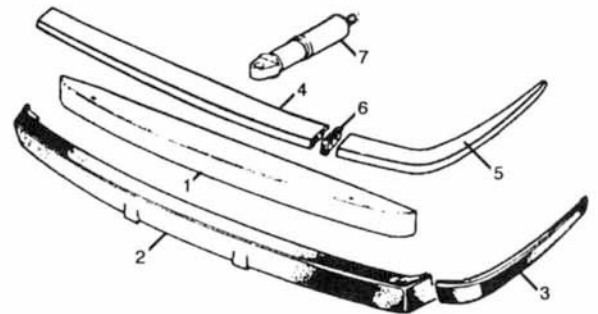
DOOR FITTINGS CONTINUED

#	PART #	DESCRIPTION	QTY. REQ.
7.	DAC-1642	RH SOLENOID (LUCAS)	1
7A.	DAC-1643	LH SOLENOID (LUCAS)	1
8.	BCC-7685	SOLENOID ACTUATOR (KIEKERT)	2
NOTE: THE ROUND LUCAS SOLENOIDS ARE USED ON ALL CARS UP TO 1987. IN 1987, BOTH LUCAS & KIEKERT WERE USED AND FROM 1988 ON ALL CARS HAD THE KIEKERT STYLE. WHEN ORDERING FOR A 1987, CHECK TO SEE WHICH STYLE IS ON YOUR CAR.			
9.	BAC-1466	RH INNER HANDLE (76-82)	1
9A.	BAC-1467	LH INNER HANDLE (76-82)	1
9B.	BCC-2392	RH INNER HANDLE (82-92)	1
9C.	BCC-2393	LH INNER HANDLE (82-92)	1
10.	BD-32396	LINKAGE CLIP	2
11.	BD-44652	RH OUTER LOCK	1
11A.	BD-44653	LH OUTER LOCK	1



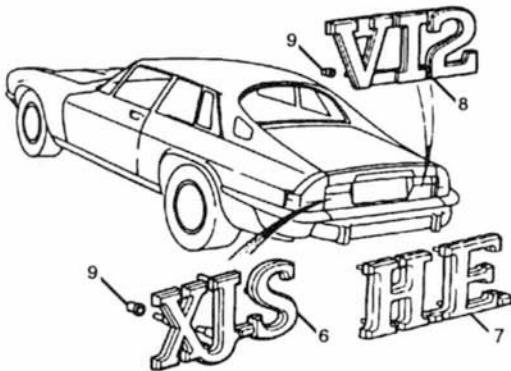
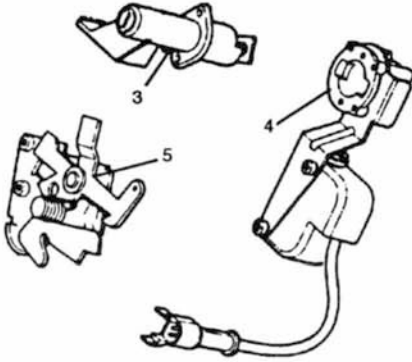
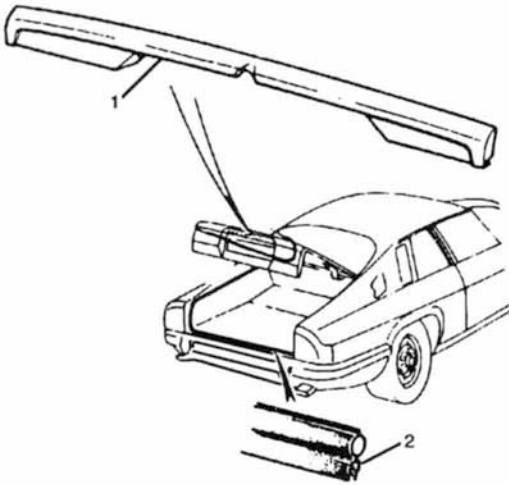
REAR BUMPER

#	PART #	DESCRIPTION	QTY. REQ.
1.	BD-48258	BEAM (76-82)	1
1A.	BAC-3415	BEAM (82-92)	1
2.	BD-48264	RUBBER COVER (76-82)	1
2A.	BAC-1151	RUBBER COVER (82-92)	1
3.	BAC-2928	RH RUBBER EXTENSION (82-92)	1
3A.	BAC-2929	LH RUBBER EXTENSION (82-92)	1
4.	BD-46714	CENTER CHROME BLADE (76-82)	1
4A.	BAC-3361	CENTER CHROME BLADE (82-92)	1
5.	BD-46685	RH CHROME BLADE (76-82)	1
5A.	BAC-3362	RH CHROME BLADE (82-92)	1
5B.	BD-46686	LH CHROME BLADE (76-82)	1
5C.	BAC-3363	LH CHROME BLADE (82-92)	1
6.	BAC-3479	JOINT (82-92)	2
7.	BD-48649	IMPACT ABSORBER	2



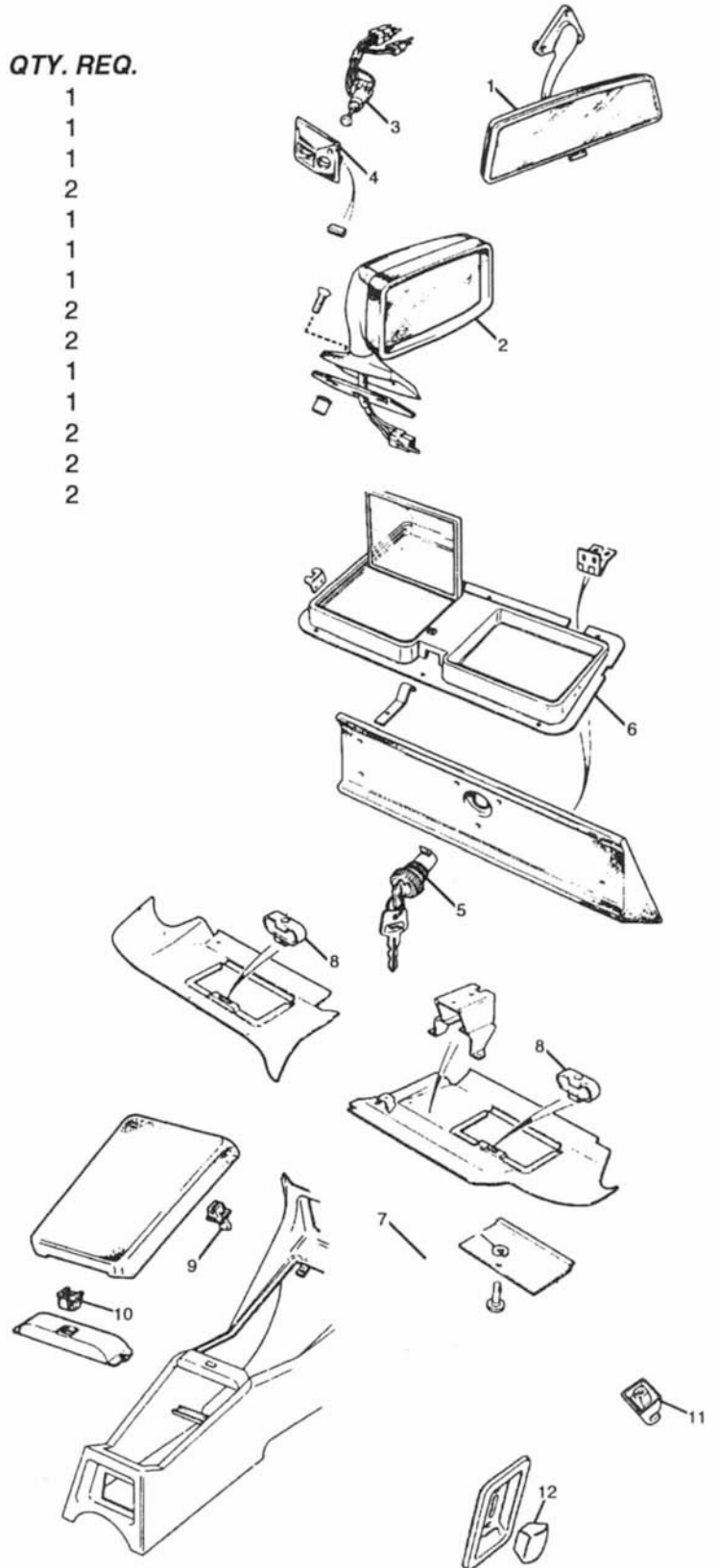
BOOT FITTINGS, SEAL, BADGES

#	PART #	DESCRIPTION	QTY. REQ.
1.	BD-44315	REVERSE LAMP MOUNT	1
2.	BBC-4441	SEAL	1
3.	BD-44162	LOCK (76-89)	1
3A.	BDC-9038	LOCK (89-92)	1
NOTE: ALSO AVAILABLE IN #BDC-7603 AND #BDC-7606 HANDLE/LOCK SETS.			
4.	BD-8817	LOCKING SOLENOID (89-92)	1
5.	BDC-7153	LATCH	1
6.	BAC-2867	XJS MOTIF	1
7.	BAC-3874	H.E. MOTIF	1
8.	BCC-3671	V-12 MOTIF	1
9.	BAC-1681	FRICTION BUSHING	A/R



MIRRORS & INTERIOR FITTINGS

#	PART #	DESCRIPTION	QTY. REQ.
1.	BD-44945	INTERIOR MIRROR	1
2.	BBC-4962	RH DOOR MIRROR	1
2A.	BBC-4963	LH DOOR MIRROR	1
3.	DAC-2649	MIRROR SWITCH	2
4.	BAC-3075	ESCUTCHEON SWITCH	1
5.	BAC-3212	GLOVE BOX LOCK	1
6.	BD-44902	GLOVE BOX VANITY TRAY	1
7.	BD-47990	FUSE BOX LID	2
8.	BD-42805	FUSE BOX LID CATCH	2
9.	BD-34716	STRIKER	1
10.	BD-34715	LATCH	1
11.	BD47987	SUNVISOR CLIP - BLACK	2
11A.	HMD-1084-AA	SUNVISOR CLIP - TAN	2
12.	624571	SEAT BACK KNOB	2





www.tradeimports.com.br